

PROJECT

CATALOG #

TYPE

# Illuminia-24

## Rotatable Propagation Grow Light

Since light intensities below a minimum will result in little or no root development while too much light can bleach leaves and reduce root formation SpecGrade LED's rotate-able and economical Illuminia-24 will help create a successful propagation environment resulting in a reduction in rooting time. With 150-degrees of photon output together with a 0-10V dimmable feature the cultivator be able to balance the light intensity while aiming the photons to ensure an even blanket of light resulting in uniform rooting.



**PRECISION**  
The Rotatable Functionality Allows for Delivering Photons with Uniformity and Precision

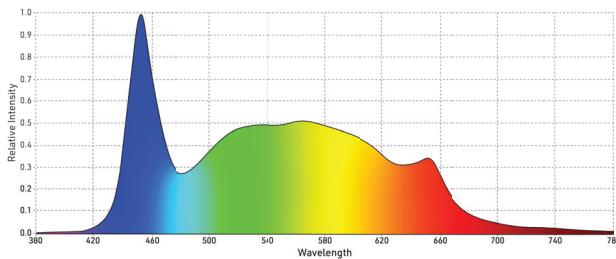
**ENGINEERING**  
Proprietary Thermal Management System Radiates Less Heat

### Ordering Information

EXAMPLE PART #: ILLUMINA - 24 - P2 - V01 - VDIM

ILLUMINA	24	P2	V01	VDIM
<b>SERIES</b>	<b>MODEL</b>	<b>SPECTRUM</b>	<b>INPUT VOLTAGE</b>	<b>CONTROL TYPE</b>
ILLUMINA	24	P2	V01 (100-277V)	VDIM (0-10V)

### Available Spectrum



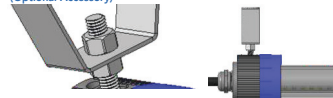
P2 Spectrum | For Propagation

### Mounting Options

**CR | Clip Ring Installation**  
(Included Standard)



**SM | Surface Mounted Installation**  
(Optional Accessory)



**SI | Suspended Installation**  
(Optional Accessory)



# Illumina-24

## Rotatable Propagation Grow Light

### Specifications

#### Performance

PPF | 50  $\mu\text{mol/s}$   
 PPFD\* | up to 200  $\mu\text{mol/m}^2/\text{S}$   
 System Power | 24W  
 Efficacy | 2.1  $\mu\text{mol/s}$   
 Optic | 150° Distribution  
 Spectrum | P2  
 Thermal | 100% Passive  
 Expected Life | L90 > 50000 hrs.

\* PPFd can range from 90-200  $\mu\text{mol/m}^2/\text{S}$  depending on configuration of installation

#### Materials

LEDs | Proprietary Blend of San'An Chips  
 Material | Polycarbonate  
 Heat Sink | AL6061

#### Warranty

LEDs & Drivers | 5 Years

#### Listings

Safety | ETL Listed per UL 8800, UL 1598, UL 8750 Standards  
 Ingress Rating | IP66  
 Impact Rating | IK10  
 NEMA Rating | NEMA 4X  
 FCC Compliance | Compliant to 47 CFR FCC Part 15 Subpart B

#### Misc

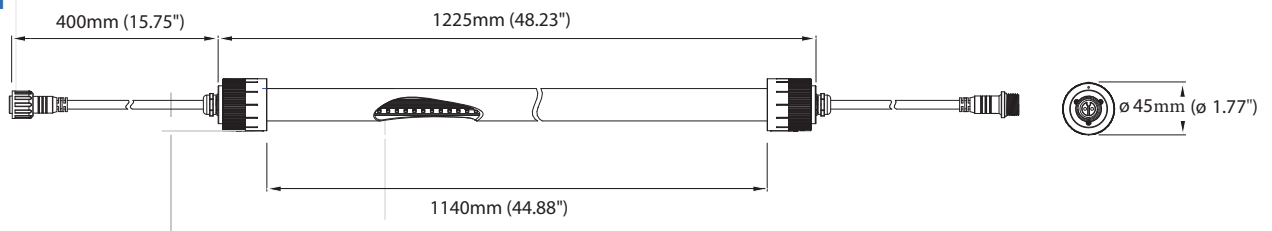
Weight | 1.5 lbs ea.  
 Dimensions | 1.75" X 48.23"  
 Finish | Blue/White  
 Mounting | Clip Ring (std.), Surface (opt.), Suspension (opt.)  
 Rotation Range | 360-Degrees in 30-Degree Increments  
 Flicker Free  
 Daisy-Chain-able

#### Electrical

Voltage | 100-277VAC (V01)  
 Dimming | 0-10V  
 Power Factor | >0.95  
 Total Harmonic Distortion (THDi) | <12%  
 Driver | Integral

### Product Data

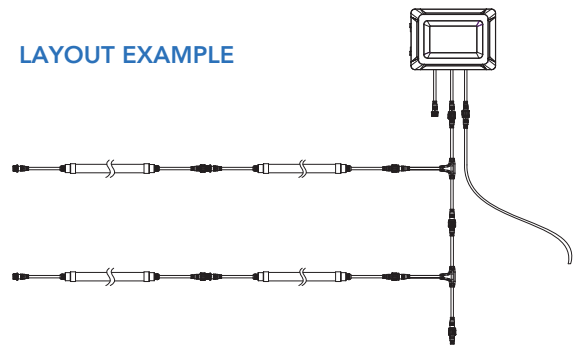
#### DIMENSIONS



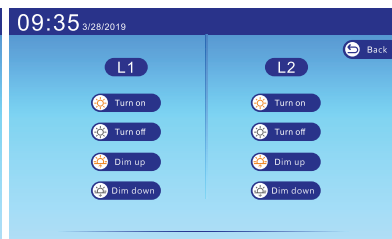
### MAXIMUM AMPERAGE BY VOLTAGE SERVICE

Voltage	120V	208V	240V
Amperage	0.2	0.11	0.1

### LAYOUT EXAMPLE



### Control



Month	Day	Year	Start	Min	Light Level	Ramp Minutes
1	1	7	1	45	50	15
2	1	7	10	45	100	15
3	1	7	23	0	0	15
4	8	52	6	45	65	15
5	8	52	10	45	10	15
6	8	52	23	0	0	15
7	0	0	0	0	0	0
8	0	0	0	0	0	0
9	0	0	0	0	0	0
10	0	0	0	0	0	0