

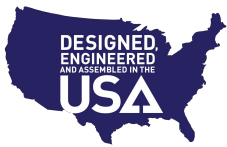
LINEA SERIES

High Performance for Greenhouses

The Linea was designed for the professional cultivator to provide photobiological and engineering excellence. Whether your intent is to use this grow light as supplemental or sole source lighting this next generation Linea will provide your crops with unmatched uniformity and virtually no shadowing.

Our proprietary double-folded aluminum heat-sinking fins are engineered to ensure the LEDs will perform at the lowest operating temperature ensuring the longest life.

And finally, available in a 300W, 600W or 900W versions we can generate a layout that will provide your crop the exact amount of micromoles necessary to increase yields, quality and vegetables, fruits and flowers to cannabis and hemp our proven spectrums will consistency. From optimize your grow facility.



POWER

Wide Range of Performance Solutions to Meet Your Specific Needs

PRECISION

Three Precision-Engineered Spectra Delivering Superior Quality of Light to Your Canopy

ENGINEERING

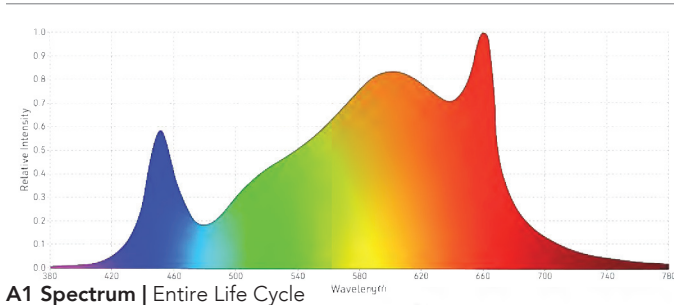
Designed for Minimal Overhead Footprint and Highest Level of Performance

Ordering Information

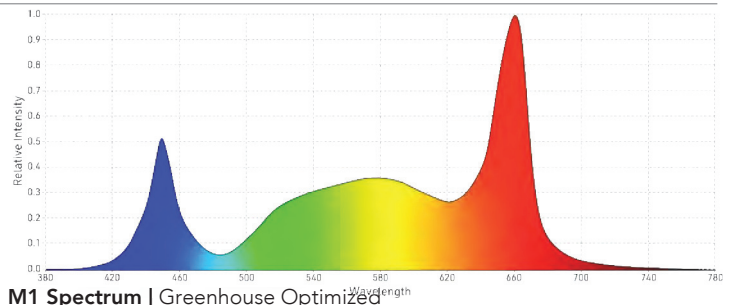
LINEA			
SERIES	MODEL	SPECTRUM	INPUT VOLTAGE
LINEA	300	A1	V01 (120-277V)
	600	M1	V04 (347-480V)
	900	RB1	

EXAMPLE PART #: LINEA - 300 - A1 - V01

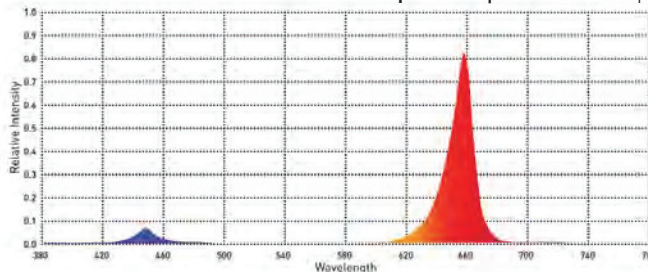
Available Spectrums



A1 Spectrum | Entire Life Cycle



M1 Spectrum | Greenhouse Optimized



RB1 Spectrum | Maximized Efficiency

LINEA SERIES

Powerful Greenhouse LED Grow Light

Specifications

Performance

PPF (± 5%)

	PPF-A1 (400nm-700nm)	PPF-M1 (400nm-700nm)	PPF-RB1 (400nm-700nm)
300	800 µmol/s	780 µmol/s	1,230 µmol/s
600	1,600 µmol/s	1,560 µmol/s	2,460 µmol/s
900	2,400 µmol/s	2,340 µmol/s	3,690 µmol/s

System Power (± 2%)

	PPF-A1 (400nm-700nm)	PPF-M1 (400nm-700nm)	PPF-RB1 (400nm-700nm)
300	320 W	305W	315W
600	640W	610W	630W
900	960W	915W	945W

Efficacy (± 5%)

	A1 SPECTRUM	A1 SPECTRUM	RB1 SPECTRUM
µmol/J	2.7	2.7	3.9

*Performance specifications obtained from independent lab testing by Underwriters Laboratory. UL Reports #13776943.(xx), 13935213.(xx)

Performance (continued)

Distribution | 120°
Spectrum | A1, M1, RB1
Thermal | 100% Passive
Expected Life | Q90 >50,000 hrs.
Maximum Ambient Temp | 30°C

Electrical

Voltage | 120-277VAC (V01), 347-480V (V04)
Surge Protection | 6kV (V01) / 4kV (V04)
Dimming | 0-10V
Power Factor | >0.95
Current THD | <10%

Materials

LEDs | Proprietary blend of Broad Spectrum White and 660nm Red Diodes
Frame | Aluminum Alloy Zipper Fin
Heat Sink | Aluminum
Finish | Polyester Powder Coat, Antimicrobial optional
Hardware | Stainless Steel
Driver | Inventronics

Listings

Rating | IP66
Safety | ETL Listed to UL 8800, UL 1598, UL 8750
FCC Compliant | 47 CFR FCC Part 15 Subpart B

Warranty

LEDs | 7 Years
Drivers | 5 Years

Maximum Amperage By Voltage Service

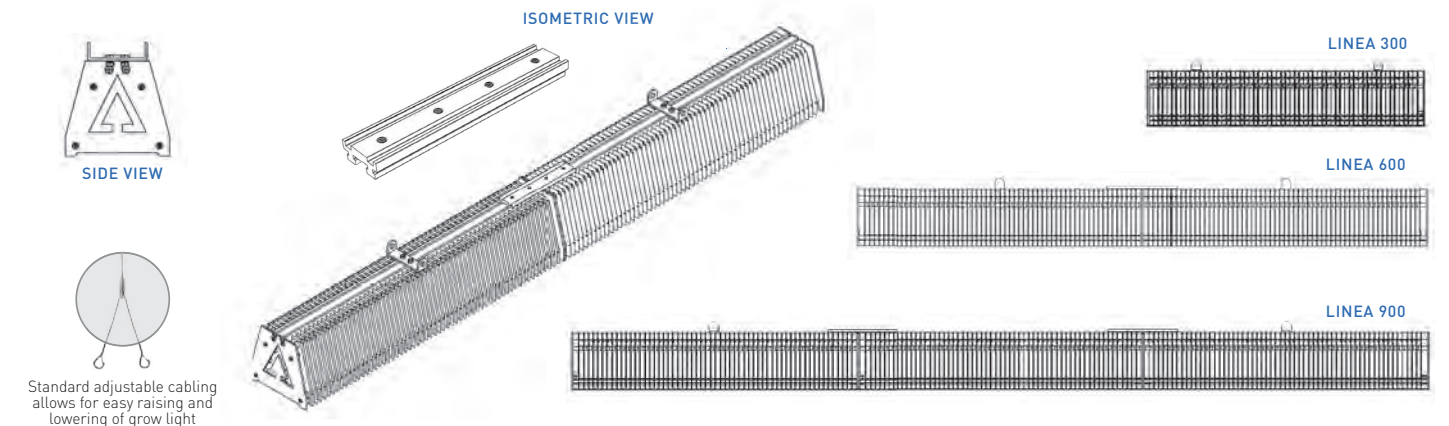
	120V	208V	240V	277V	347V	480V
300	2.7A	1.5A	1.3A	1.2A	0.9A	0.7A
600	5.3A	3.1A	2.7A	2.3A	1.8A	1.3A
900	8.0A	4.6A	4.0A	3.5A	2.8A	2.0A

Dimensions & Weights

	Fixture Dimensions	Fixture Weight	Driver Dimensions	Driver Weight
300	24 x 5.1 x 5.6 in.	9.5 lb.	15 x 2.5 x 5.0 in.	7 lb.
600	48 x 5.1 x 5.6 in.	19.0 lb.	15 x 2.5 x 5.0 in.*	7 lb.*
900	72 x 5.1 x 5.6 in.	28.5 lb.	15 x 2.5 x 5.0 in.**	7 lb.**

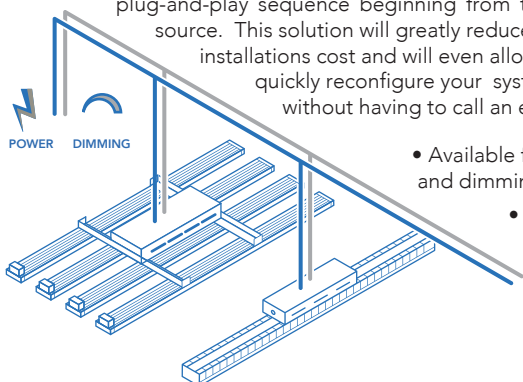
* Quantity: 2 **Quantity: 3

Drawings



Grow-Connect

SpecGrade's Grow-Connect is an easily installable daisy-chain wiring solution that is wet-location rated for grow facilities. Multiple grow lights may be wired together in a plug-and-play sequence beginning from the power source. This solution will greatly reduce installations cost and will even allow you to quickly reconfigure your system without having to call an electrician.



- Available for power and dimming circuits
- Tool Free
- IP67

