



VERTA

USER MANUAL



VERTA-6F AND VERTA-8F

SpecGradeLED's powerful, yet versatile Verta Series is perfect for both vegging and flowering applications



Thank You Partner!

All of us here at SpecGrade, a Columbus, OH grow light manufacturer, appreciate that you vetted us enough to realize that you've invested in what is undeniably the finest designed and engineered grow light on the market. Your VERTA series grow lights will help you to produce some of the highest yields and ROI in the industry for years to come. Our promise to you is that we will continue to work hard in the coming years and always remain open to collaborate with you in the never ending process of growing.

We look forward to hearing our feedback in all aspects of our products—good and not so good. Because we're in this together! Please go to SpecGrade.com and send us your thoughts and results.



RICK NATHANS



DOUG LAUCK

JOIN US IN A LIFELONG PARTNERSHIP

We invite you to become a preferred SpecGradeLED Partner to test our latest products, provide feedback on customizations, and help us push the boundaries of today's LED Grow Lighting technology. Speak to a representative for more information.

**Custom Lighting Spectrums
for your Grow Cycles**

**Photometric Calculations &
Specification from our Pros**

**Access to our proprietary LED
Lighting technology**

**Test our new products with us
as they are developed**

SPECIFICATIONS

TYPICAL PERFORMANCE ±5%					
MODEL NUMBER	SYSTEM POWER	PPF (400-700nm)	EFFICACY	PBAR (280-800nm)	EFFICACY
VERTA-6F-A1-V01	720 W	2,050 µmol/s	2.8 µmol/J	2,100 µmol/s	2.9 µmol/J
VERTA-6F-A1-V01-640	640 W	1,800 µmol/s	2.8 µmol/J	1,850 µmol/s	2.9 µmol/J
VERTA-8F-A1-V01	920 W	2,600 µmol/s	2.8 µmol/J	2,650 µmol/s	2.9 µmol/J
VERTA-8F-A1-V01-840	840 W	2,400 µmol/s	2.8 µmol/J	2,450 µmol/s	2.9 µmol/J

ELECTRICAL

Input Voltage: 100-277V, 347-480 V

Surge Protection: 4kV

Power Factor: >0.98

Current THD: <10%

Dimming: 0-10V (Dim-To-Off)

MISCELLANEOUS

Thermal Design: 100% Passive

Optical Distribution: 120°

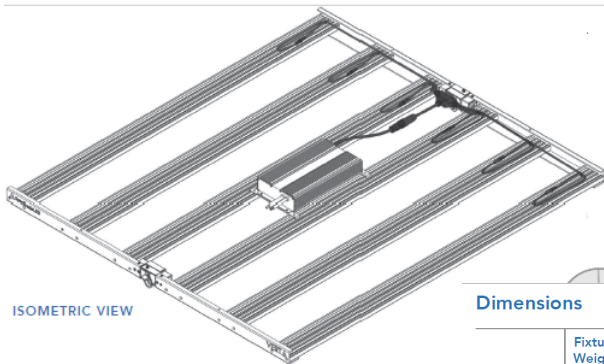
Finish: White

MATERIALS

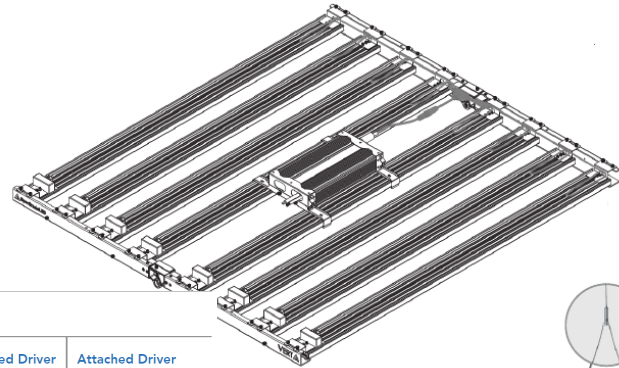
Frame: Steel (<5% Zinc)

Heat Sink Bars: Extruded Aluminum / AL6063

Protective Coating: Corrosion Resistant Polyester Powder Coat



ISOMETRIC VIEW



Dimensions

	Fixture Weight	Driver Weight	Remoted Driver	Attached Driver
VERTA-8F	34.5 lb.	8.0 lb.	47.75 X 42 X 2.5 in.	47.75 X 42 X 3.5 in.

VERTA-6F

VERTA-8F

MAXIMUM AMPERAGE BY VOLTAGE SERVICE						
VOLTAGE	120V	208V	240V	277V	347V	480V
VERTA-6F	6.0A	3.5A	3.0A	2.6A	2.1A	1.5A
VERTA-6F (640)	5.3A	3.1A	2.7A	2.3A	1.8A	1.5A
VERTA-8F*	7.0A*	4.0A*	3.8A	3.3A	2.7A	1.9A
VERTA-8F (840)	7.0A	4.0A	3.5A	3.0A	2.4A	1.8A



*Fixture will be derated to 90% output when connected to sources below 240VAC.

TOLL FREE 888-410-5337

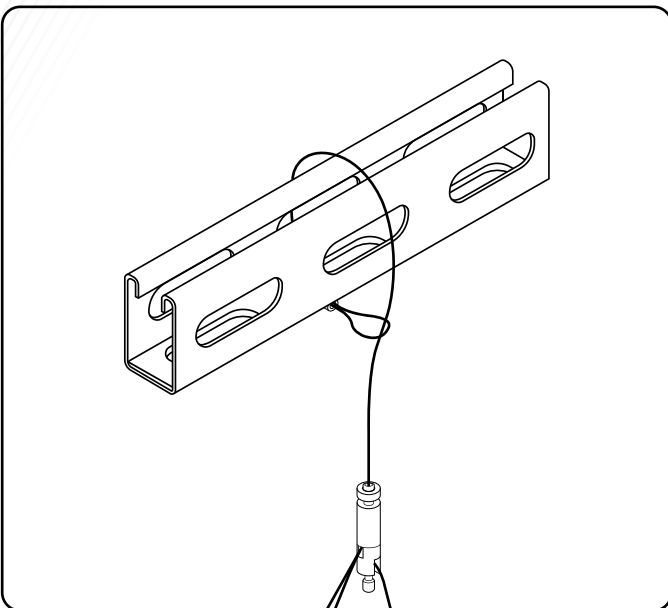
SpecGrade.com

MOUNTING INSTRUCTIONS

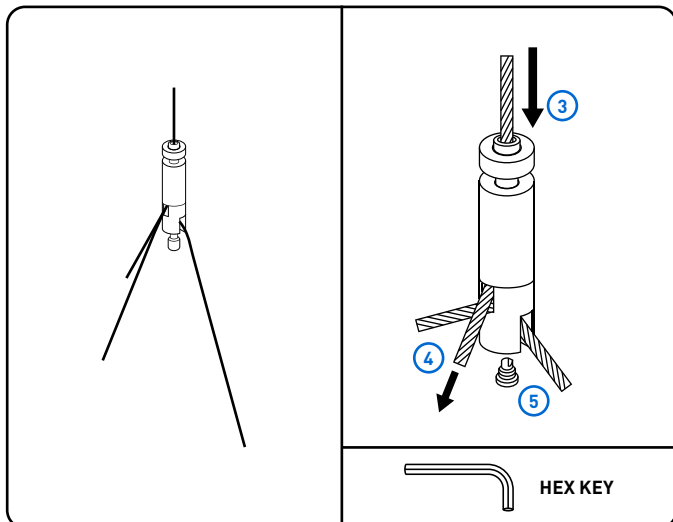
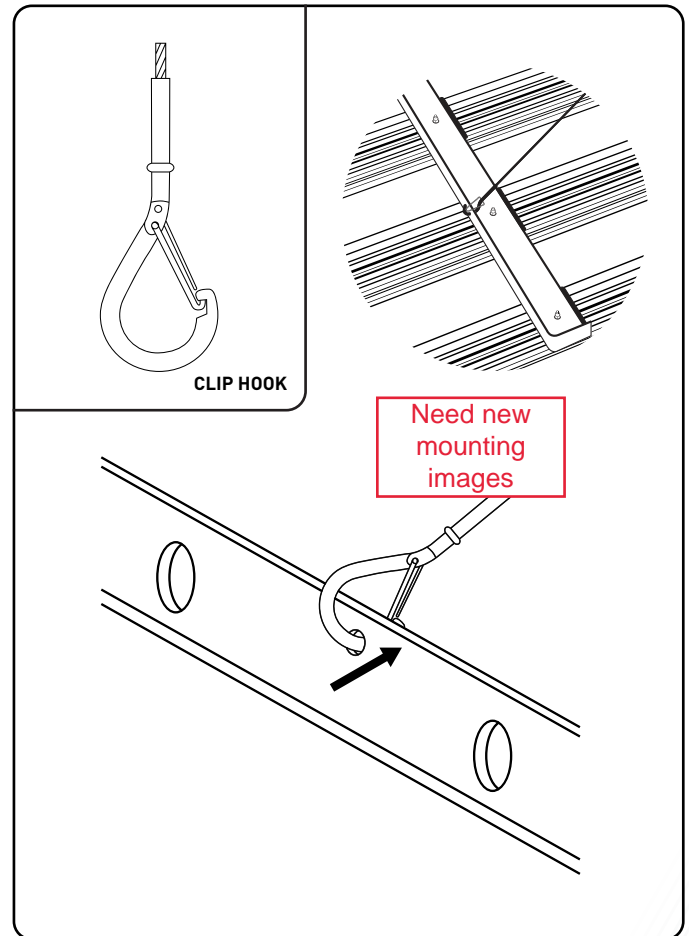
Y-HOOK SUSPENSION CABLE MOUNTING STEPS

Read the following instructions completely

- 1) Attach the vertical cable from the wire rope suspension kit supplied with the luminaire from an appropriate overhead structure.



- 2) Attach the clip hook sling to the luminaire frame.



- 3) Insert the suspended vertical cable end into the adjustable suspension fitting on the sling cable.
- 4) Pull steel wire to adjust desired hanging weight.
- 5) Using a hex key, tighten the set screw once the fixture is horizontally level

INSTALLATION INSTRUCTIONS

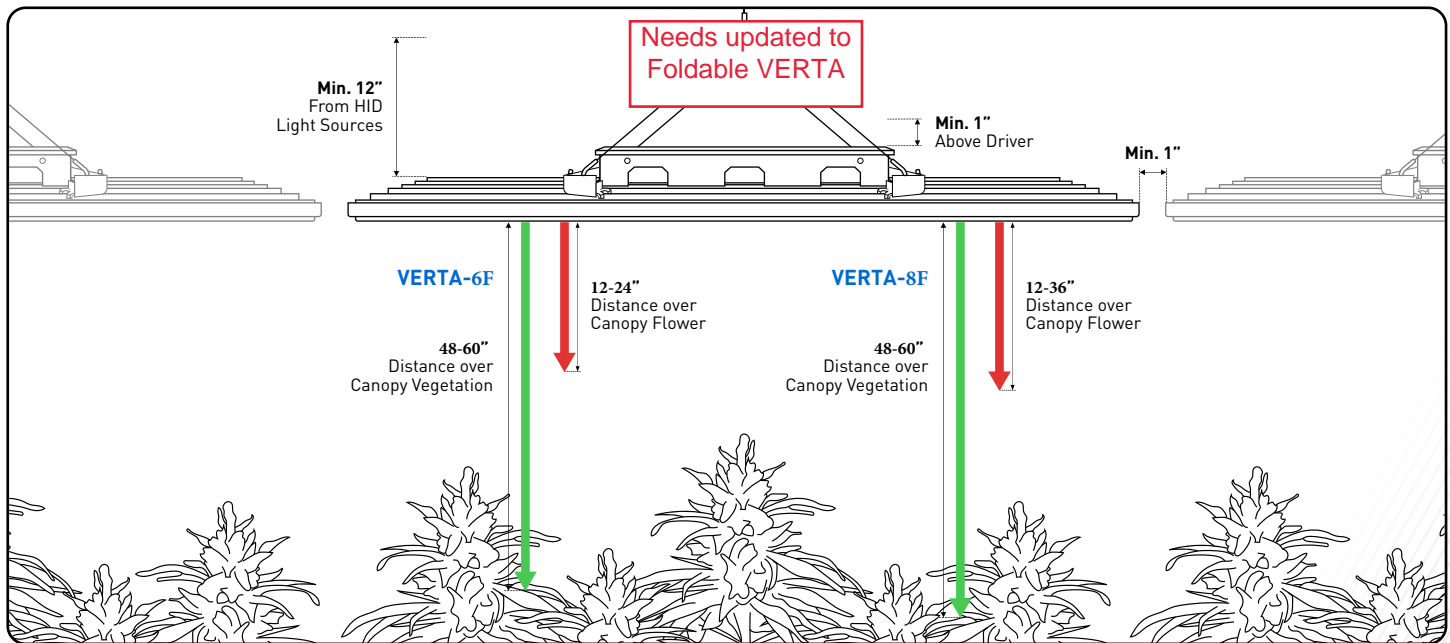
ENVIRONMENTAL NOTES & MOUNTING RECOMMENDATIONS

The VERTA luminaire can be mounted as close as 1-inch from other VERTA fixtures. Maintain a 6-inch minimum distance from other LED luminaires and 12-inches from HID light sources. Maintain a 1-inch distance above driver, 3-inches from sides/bottom from combustible materials such as walls, ceilings, moveable partitions, and the like.

The VERTA series horticulture luminaire is designed for wet location use and max ambient operating temperature 45°C. Mechanical ventilation or cooling system may be required to maintain desired room temperatures when luminaire is in operation.

MOUNTING GUIDELINES*				
SERIES	DISTANCE OVER CANOPY VEGETATION	COVERAGE AREA VEGETATION	DISTANCE OVER CANOPY FLOWER	COVERAGE AREA FLOWER
VERTA-6F	48" to 60" (122cm - 152cm)	5' x 5' (152cm x 152cm) 25 ft ²	12" to 24" (30cm - 61cm)	4' x 4' (122cm x 122cm) 16 ft ²
VERTA-8F	48" to 60" (122cm - 152cm)	6' x 6' (183cm x 183cm) 36 ft ²	12" to 36" (30cm - 91cm)	4' x 4' (122cm x 122cm) 16 ft ²

***Every strain of every plant requires various levels of PPFD throughout its life cycle. For best results consult a credible source.**
 Because a plant is a living organism, we recommend utilizing a dimming solution to give you the most flexibility and best results.



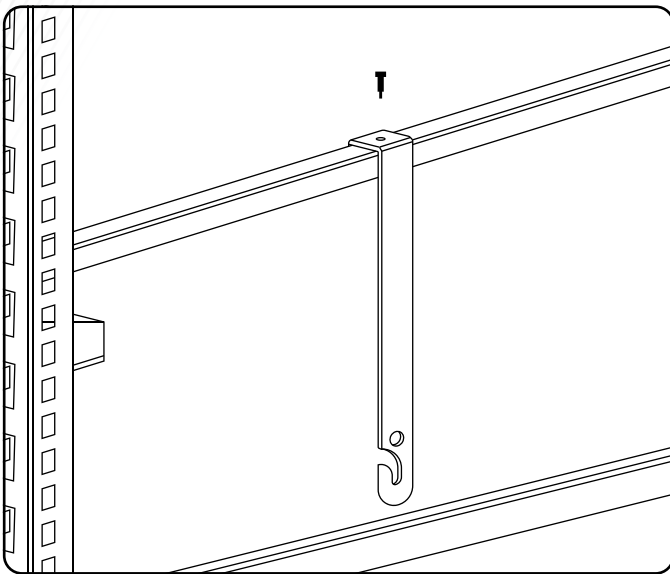
* Illustration is not to scale. Used to visually show clearance around the Verta light and above plants.

MOUNTING INSTRUCTIONS

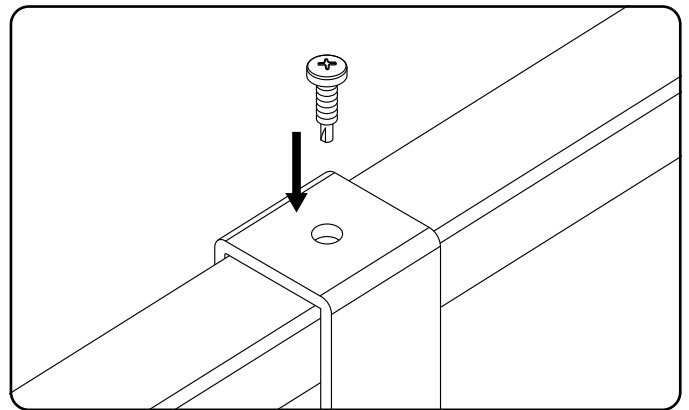
PIPP® RACK MOUNTING STEPS

Read the following instructions completely

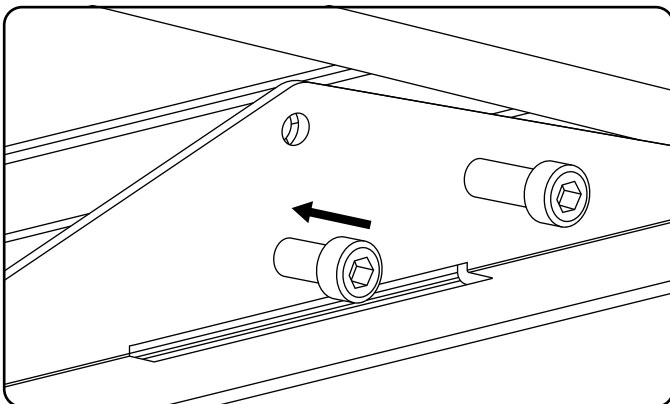
- 1) Hang the rack mounting brackets centrally aligned on the PIPP® Font-to-Back supports (BPSEB).



- 2) Fasten the rack mounting brackets using #8 self-tapping screws. (We recommend using stainless steel or properly treated/coated hardware to prevent corrosion in wet/damp environments.)

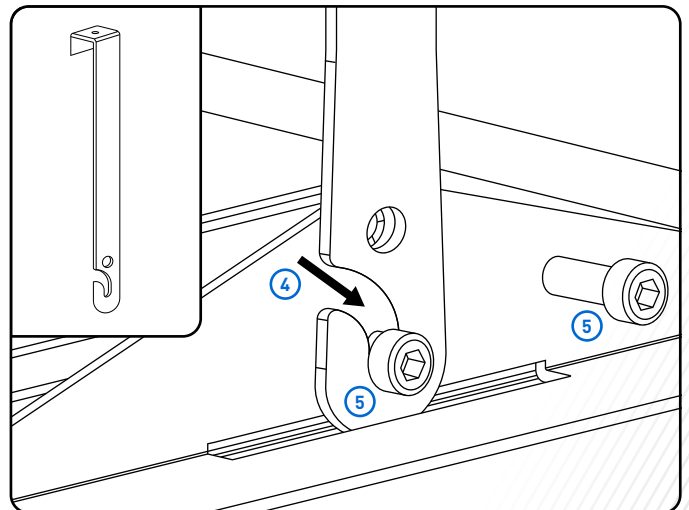


- 3) On the brackets installed on the VERTA fixture, insert the lower socket headed screws threaded approximately half-way on both left and right brackets.



- 4) Hang the VERTA fixture by sliding the unit on the slotted space on the rack mounting brackets

- 5) Tighten the upper and lower socket headed screws.



INSTALLATION INSTRUCTIONS - Pigtails

ELECTRICAL INSTALLATION STEPS

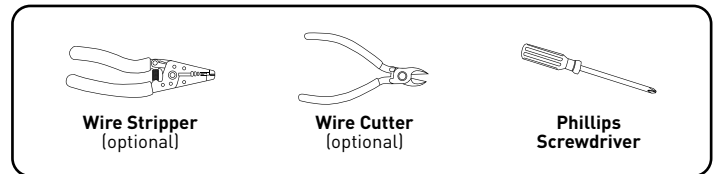
These instructions do not apply to fixtures supplied with a cord and plug.

1) Ensure power is disconnected before making and removing connections or servicing unit.

2) Connect the power cord (3-conductor) to the VAC power source following the color codes below.

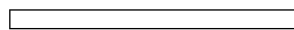

	BLACK - LIVE
	WHITE - NEURTAL
	GREEN - GROUND (Earth)

Tools typically used during installation



3) Connect the dimming cord (2-conductor) to the on-site dimmer/control system following the color codes below.

- a) If dimming is not to be used, ensure the DIM+ and DIM- are isolated so they do not make contact, or they will interfere with proper operation of the luminaire.
- b) Dimming cord may not be present if fixture is supplied with integrated wireless controls.

	WHITE - DIM+
	BLACK - DIM-

4) Restore power and verify operation.



WARNING! BEFORE YOU BEGIN.

Read the following instructions completely

After you have successfully installation of the system, be sure to keep this guide for future reference. We always recommend you seek the services of a qualified installation professional to ensure optimal performance and safety. These instructions do not purport to cover all details or variations in equipment, nor to provide for every possible contingency related to installation, operation, maintenance, or mounting. Should specific problems occur that are not addressed by these instructions, please contact SpecGradeLED for assistance.



RISK OF FIRE OR ELECTRICAL SHOCK

- Turn off power before beginning installation process
- Properly ground fixture per wiring diagram
- Follow all NEC and local electrical codes
- Do not make any modifications or alterations to luminaire
- Fixture may fall if not installed properly, follow installation instructions
- Wear safety glasses and proper aid during installation and maintenance
- Failure to follow these instructions may result in damaged fixture and/or voided warranty

OUR WARRANTY

Subject to the exclusions set forth below, Lighting Solutions Group LLC, dba SpecGradeLED (hereinafter "SpecGrade") warrants its light emitting diode (LED) products ("SpecGrade Lights") to be free from defect in material and workmanship (the "Limited Warranty" for a period of ten (10) years on the LED arrays and seven (7) years on the drivers. This Limited Warranty only applies to authorized commercial sales of SpecGrade Lights through its website, or through its authorized distributors. Warranty claims regarding SpecGrade Lights must be submitted to the Company in writing within thirty (30) days of discovery of the defect or failure.

Please see the website at SpecGrade.com for full details.



TOLL FREE 888-410-5337

SpecGrade.com

Due to continuous improvement and innovation, product appearance and specifications may change without notice.
Actual performance may differ as a result of end-user environment and application. © 2011 SpecGrade. All Rights Reserved.