

QUICKSHIP

THE SATURN

LED HIGH BAY

90W, 150W & 200W

REPLACES UP TO A 500-WATT METAL HALIDE FIXTURE



PROJECT

CATALOG #

TYPE



- Available in 90W, 150W & 200W
- 0-10V Dimming Standard
- Expected Life over 100,000 Hours
- Proprietary Die-Cast Aluminum Heatsink
- Up to 496 LED Chips
- Industry-Leading 10-Year LED Warranty
- US Design Patent: US D831,261 S



POWER

Available in 90W, 150W,
and 200W Configurations

PRECISION

High Chip Density for
Increased Uniformity

ENGINEERING

Die-Cast Aluminum Heatsink for
Maximum Thermal Management

ORDERING INFORMATION

EXAMPLE PART #: HBF - 90 - 41K - 120 - V01 - BL - CM - VDIM - CL

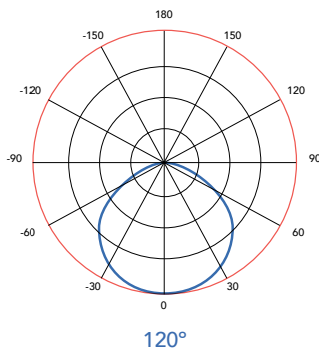
HBF			120	V01	BL		VDIM	
SERIES	WATTS	CCT	OPTICS	INPUT PWR	FINISH	MOUNTING	DIMMING	OPTIONS
HBF	90 150 200	40K 50K	120	V01 110/277V	BL	CM Eyebolt for Chain/Cable/Hook PM1 Pendant Mount (1/2" NPT) PM2 Pendant Mount (3/4" NPT)	VDIM 0-10V Dimmable	CL Clear Lens *FL Frosted Lens

*FL option not DLC QPL listed.

QUICKSHIP TERMS

- Maximum Order: 50 Pieces
- Ships within 5 Business Days with no Options Selected
- Ships within 10 Business Days with Options Selected

OPTICS



LUMEN CHART

	4000K	5000K
90W	12,800 lm	13,500 lm
150W	20,400 lm	21,400 lm
200W	26,000 lm	27,200 lm

Typical delivered lumen data is approximate. Actual lumens will vary due to installation environment and beam pattern. Please see IES files.

QUICKSHIP
THE SATURN
 LED HIGH BAY

SPECIFICATIONS

Expected Life | Over 100,000 hrs.
Rating | IP 65
Color Rendering Index (CRI) | >70
Operating Temp | -40°C – 65°C
Relative Humidity | 0-90% RH
Power Factor | >0.98%
Input Line Voltage | 90-305 VAC
Input Line Frequency | 50/60 Hz
LED Efficiency |
 4000K, 149 lm/w
 5000K, 157 lm/w
Surge Protector | 4kV

LED Chips | LUMILEDS
Driver | Dimmable 0-10V Standard
Hanging Weight
 90W: 8 lbs
 150W: 12.3 lbs
 200W: 13.6 lbs

LISTINGS

ETL Listed
DLC Listed

MATERIALS

Housing | Die Cast Aluminum – A380 Alloy / ADC12
Gasketing | Neoprene Rubber
Hardware | 18-8 Stainless Steel
Finish | Corrosion Resistant Polyester Powdercoat 4000
 Hour Salt Spray Tested to ASTM B117
Lens | Pure Cast Acrylic. 4mm Thick

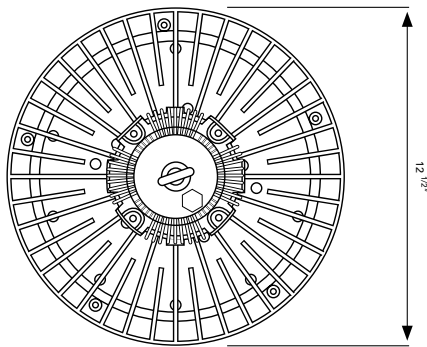
WARRANTIES

See Website for Details

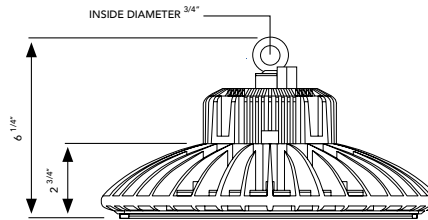
Housing | 10-Year
LED | 10-Year
Driver | 7-Year

PRODUCT DRAWINGS

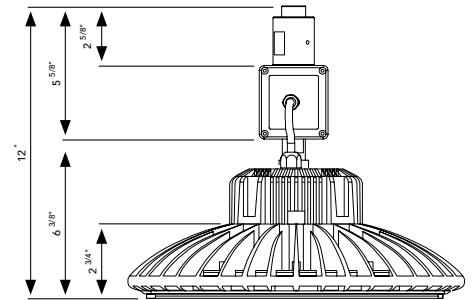
90W



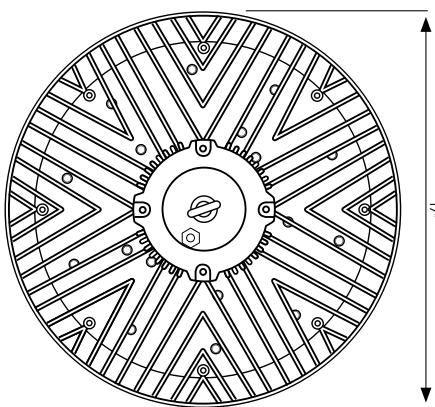
90W CM Mount



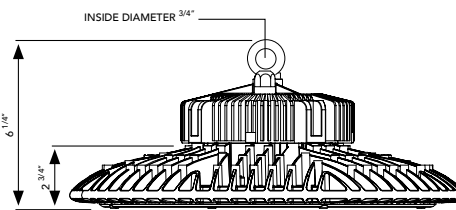
90W PM1 & PM2 Mount



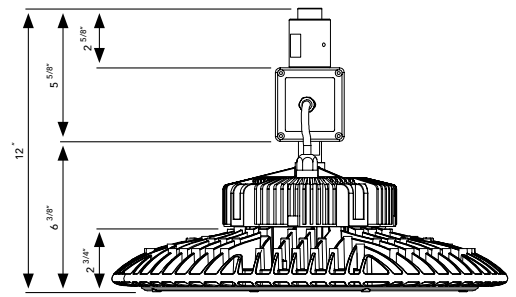
150W & 200W



150W & 200W CM Mount



150W & 200W PM1 & PM2 Mount



Due to continuous improvement and innovation, product appearance and specifications may change without notice. Actual performance may differ as a result of end-user environment and application.