

PROJECT

CATALOG #

TYPE

Supplemental Wavelength Lighting



PRECISION
The Rotatable Functionality Allows for Delivering Photons with Uniformity and Precision



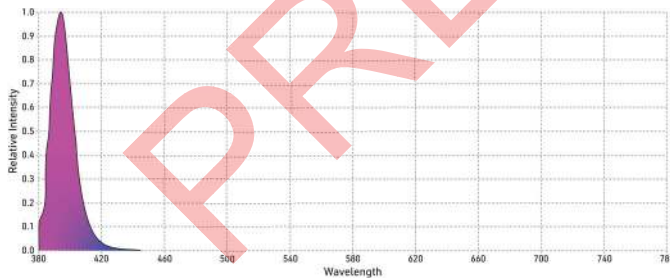
ENGINEERING
Proprietary Thermal Management System Radiates Less Heat

Ordering Information

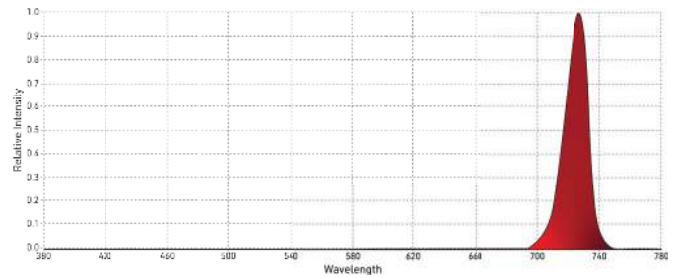
EXAMPLE PART #: SUP - 15 - 400 - V01 - VDIM

SUP	15	400	V01	VDIM
SERIES	WATTAGE	WAVELENGTH	INPUT VOLTAGE	CONTROL TYPE
SUP	15	400 730	V01 (120-277V)	VDIM (0-10V)

Available Spectrum



400nm | UVA



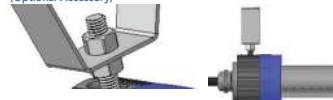
730nm | Far Red

Mounting Options

CR | Clip Ring Installation
(Included Standard)



SM | Surface Mounted Installation
(Optional Accessory)



SI | Suspended Installation
(Optional Accessory)



Supplemental Wavelength Lighting

Specifications

Performance

PPF |
System Power | 15W
Optic | 150° Distribution
Wavelength | 400nm, 730nm
Thermal | 100% Passive
Expected Life | L90 > 50000 hrs.

Materials

LEDs | Narrow Band LED Diodes
Material | Polycarbonate
Heat Sink | AL6061

Listings

Ingress Rating | IP66
Impact Rating | IK10
NEMA Rating | NEMA 4X
FCC Compliance | Compliant to 47 CFR FCC Part 15 Subpart B

Electrical

Voltage | 120-277VAC (V01)
Dimming | 0-10V
Power Factor | >0.95
Total Harmonic Distortion (THDi) | <12%
Driver | Integral

Warranty

LEDs & Drivers | 5 Years

Misc

Weight | 1.5 lbs ea.
Dimensions | 1.75" X 42"
Finish | Dark Red/White, Violet/White
Mounting | Clip Ring (std.), Surface (opt.), Suspension (opt.)
Rotation Range | 360-Degrees in 30-Degree Increments
Flicker Free
Daisy-Chain-able

Product Data

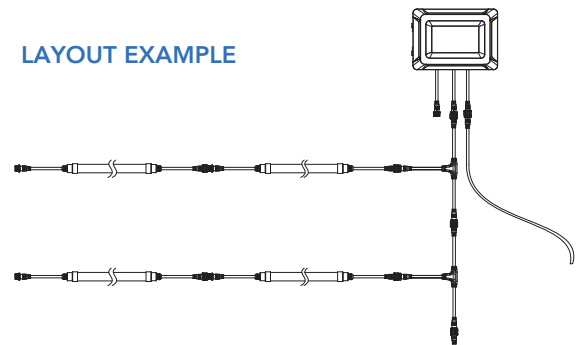
DIMENSIONS



MAXIMUM AMPERAGE BY VOLTAGE SERVICE

Voltage	120V	208V	240V	277V
Amperage	0.125	0.07	0.06	0.055

LAYOUT EXAMPLE



Control



09:35 3/28/2019

Brightness Option Settings

Current Brightness:	50%	50%
Current Day:	0	0
Total Days:	15	15
Working mode:	3/28/2019	3/28/2019
Timing Table:	Month Day Year	Month Day Year
Starting time:	Month Day Year	Month Day Year

09:35 3/28/2019

L1 L2

Turn on Turn off Dim up Dim down

Month	Day	Year	Start	Min	Light Level	Ramp Minutes
1	1	7	1	45	50	15
2	1	7	10	45	100	15
3	1	7	23	0	0	15
4	8	52	6	45	65	15
5	8	52	10	45	10	15
6	8	52	23	0	0	15
7	0	0	0	0	0	0
8	0	0	0	0	0	0
9	0	0	0	0	0	0
10	0	0	0	0	0	0