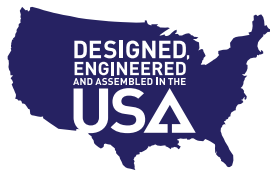


LINEA 48XL

Linear Greenhouse LED Grow Light

The powerful Linea-48XL is engineered to optimize your greenhouse applications on many different levels. Designed to be a full 48" in length and only 4.5" wide, the size guarantees excellent uniformity while minimizing shadowing and the number of electrical drops involved. At only 330-watts the 120° integral optic delivers an exceptional 839 μmol level.



INTENSITY

1,232 LEDs Allow For High PPFd At 330 Watts

PRECISION

Precision-Engineered A1 Spectrum Offers Light Tailored For a Plant's Entire Life Cycle

ENGINEERING

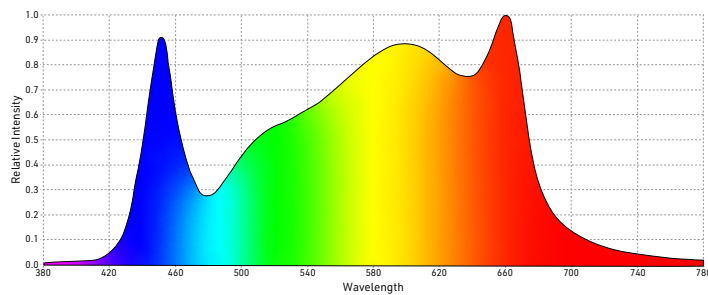
Modular Design Enables Grower To Change Out PCBs

Ordering Information

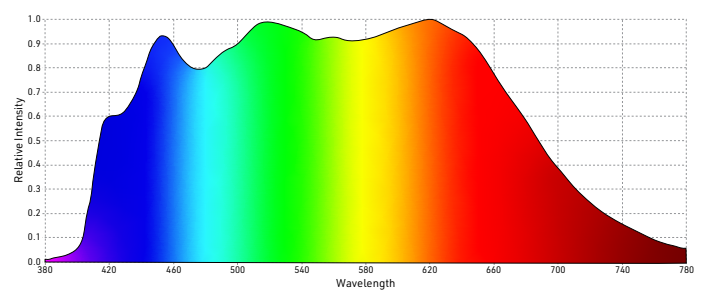
EXAMPLE PART #: LINEA - 48XL - A1 - V01 - WT - 15FT

LINEA	48XL	A1		WT	15FT
SERIES	MODEL	SPECTRUM	INPUT VOLTAGE	POWDER COAT FINISH	CORD LENGTH
LINEA	48XL	A1 S1	V01 (100-277V) V04 (347-480V)	WT (Standard)	15FT (Standard)

Available Spectrums



A1 Spectrum | Entire Life Cycle
Standard



S1 Spectrum | Entire Life Cycle
Optional, No DLC

LINEA 48XL

Linear Greenhouse LED Grow Light

Specifications

Performance

PPF | 839 $\mu\text{mol/s}$
System Power | 330 W
Efficacy | 2.52 $\mu\text{mol/J}$
Distribution | 120°
Spectrum | A1
Thermal | 100% Passive
Expected Life | Q90 > 55,000 hrs.

*Performance is typical for populated spaces with cross light and A1 spectrum

Materials

LEDs | 1,232 Highly Efficient Leading Brand Chips
Frame | Stainless Steel
Heat Sink | A383 Die Cast Aluminum
Finish | Polyester Powder Coat
Hardware | Stainless Steel
Modular Construction
(enables grower to change out PCBs)

Listings

Rating | IP66
Safety | ETL Listed to UL 8800, UL 1598, UL 8750
FCC Compliant | 47 CFR FCC Part 15 Subpart B
NEMA Rating | 4X

Electrical

Voltage | 100-277VAC (V01), 347-480V (V04)
Surge Protection | 6kV (V01) / 4kV (V04)
Dimming | 0-10V
Power Factor | 0.999
Current THD | <5%

Warranty

LEDs | 10 Years
Drivers | 7 Years

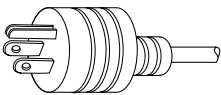
Electrical Standard

15' cord+ plugs
(NEMA 5-15P & NEMA 6-15P adapter)

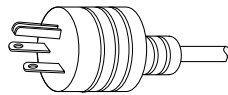
Misc

Weight | 24.5 lbs.
Dimensions | 4.2" x 48" x 4.8"
Footprint | 18" x 48" Sole Source
Cord Length | 15-ft cord
Finish | White

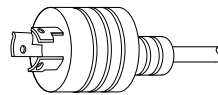
Electrical Options



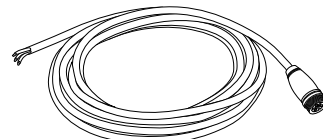
120V Straight Blade 15A
(NEMA 5-15P)
Item: STDP



250V Side Blade 15A
(NEMA 6-15P)
Item: SBP



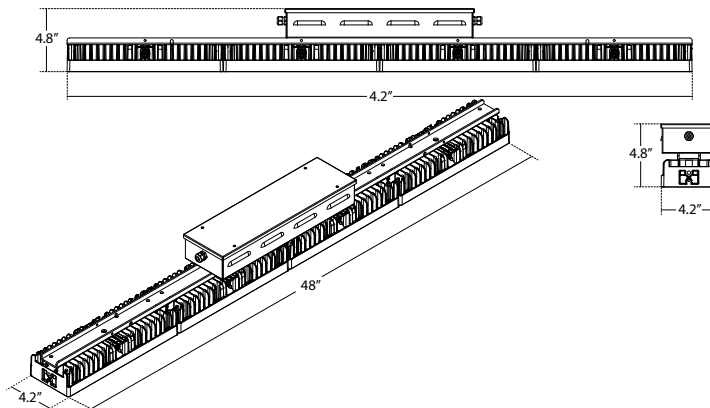
277V Twist Lock Plug 15A
(NEMA L7-15P)
Item: STP



Quick Connect Pigtail 15A
Item: GCPT-AC (Power)
Item: GCPT-DC (Dimming)

Product Data

Dimensions



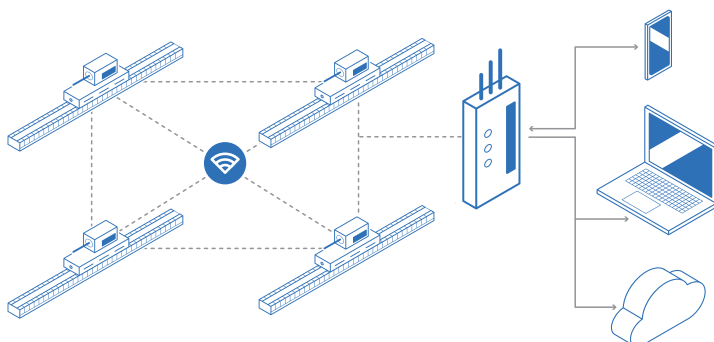
Maximum Amperage By Voltage Service

Voltage	120V	208V	240V	277V	347V	480V
Amperage	5.72A	3.30A	2.86A	2.48A	1.98A	1.42A

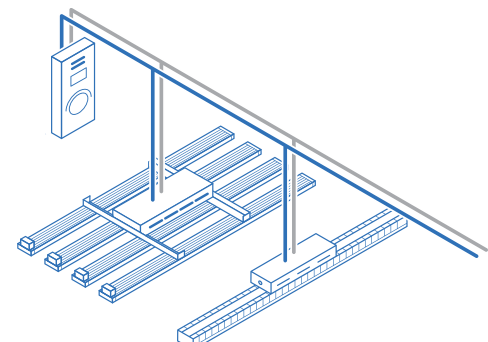


Standard adjustable cabling allows for easy raising and lowering of grow light

Controls



Wireless



Hard-Wired

Due to continuous improvement and innovation, product appearance and specifications may change without notice. Actual performance may differ as a result of end-user environment and application.

TOLL-FREE: 888-410-5337 | FAX: 614-868-5344 | © 2020 SpecGradeLED

REV 08_2020

www.SpecGradeLED.com