

# THE PROJECTOR

## LED PROJECTION LIGHT

60W, 120W, 180W, 240W, 300W & 360W  
SPECIALTY LIGHT

- Innovative 7° Beam Technology
- Shatter Resistant Lens
- Expected Life over 100,000 Hours
- Durable Die-Cast Powder Coated Aluminum Frame
- Rust-Proof Stainless Steel Hardware
- Industry-Leading 10-Year LED Board Warranty



### POWER

Available from 60W up to 360W Configurations

### PRECISION

High-Precision Optics are Paired with an Engraved Protractor for Proper Aim

### ENGINEERING

Folded-fin Heatsink Keeps High-Output LEDs Cooler During Operation

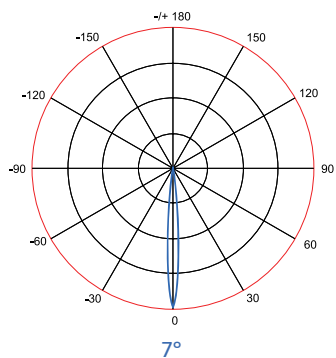
## ORDERING INFORMATION

EXAMPLE PART #: PRO - 120 - 40K - 7 - V01 - BL - VDIM - WG

| SERIES | WATTS                                 | CCT               | OPTICS | INPUT PWR                        | FINISH          | DIMMING   | OPTIONS                                     |
|--------|---------------------------------------|-------------------|--------|----------------------------------|-----------------|---|---|
| PRO    | 60<br>120<br>180<br>240<br>300<br>360 | 40K<br>50K<br>60K | 7      | V01   110/277V<br>V04   347/480V | BL<br>WT<br>RAL | NDIM   No Dimming<br>VDIM   0-10V Dimmable<br>DDIM   DALI Dimming | VGS   Visor Glare Shield<br>WG   Wire Guard |

**NOTES**  
 - No Dimming Standard  
 - Custom RAL Colors Require Additional Costs & Lead Times

## OPTICS



## LUMEN CHART

|      | 4000K     | 5000K     | 6000K     |
|------|-----------|-----------|-----------|
| 60W  | 4,080 lm  | 4,365 lm  | 4,671 lm  |
| 120W | 8,024 lm  | 8,423 lm  | 8,867 lm  |
| 180W | 12,310 lm | 12,958 lm | 13,640 lm |
| 240W | 15,900 lm | 16,700 lm | 17,600 lm |
| 300W | 20,529 lm | 21,609 lm | 22,747 lm |
| 360W | 24,447 lm | 25,734 lm | 27,089 lm |

Typical delivered lumen data is approximate. Actual lumens will vary due to installation environment and beam pattern. Please see IES files.

# THE PROJECTOR

## LED PROJECTION LIGHT



### SPECIFICATIONS

**Expected Life** | Over 100,000 hrs.  
**Rating** | IP65 Housing / IP66 Boards  
**Color Rendering Index (CRI)** | >70  
**Operating Temp** | -25°C – +65°C  
**Power Factor** | >95%  
**Input Line Voltage** | 90-305 / 200-525 VAC  
**Input Line Frequency** | 50/60 Hz  
**LED Chips** | Lumileds  
**Driver** | Meanwell  
**Weight** | 60W: 22lb - 120W: 23lb  
180W: 35.25lb - 240W: 36.40lb  
300W: 61.75lb - 360W: 64lb

### LISTINGS

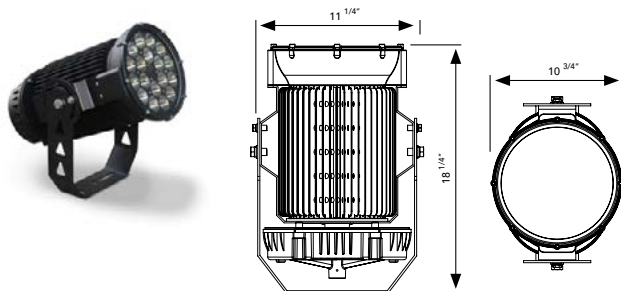
CE Listed

### MATERIALS

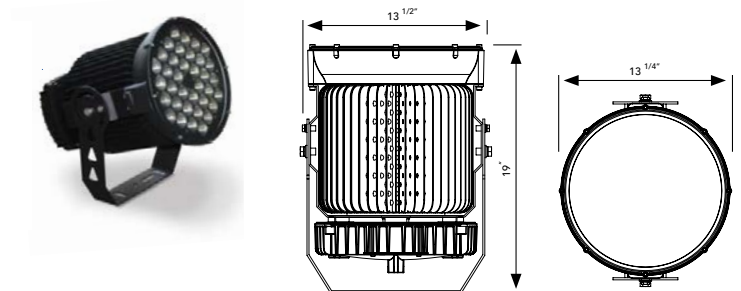
**Housing** | Corrosion Resistant Aluminum  
**Gasketing** | Neoprene Rubber  
**Hardware** | 18-8 Stainless Steel  
**Finish** | Protective UV Stabilized Powdercoat  
4000 Hour Salt Spray Tested to ASTM B117  
**Lens** | Tempered Glass

### PRODUCT DRAWINGS

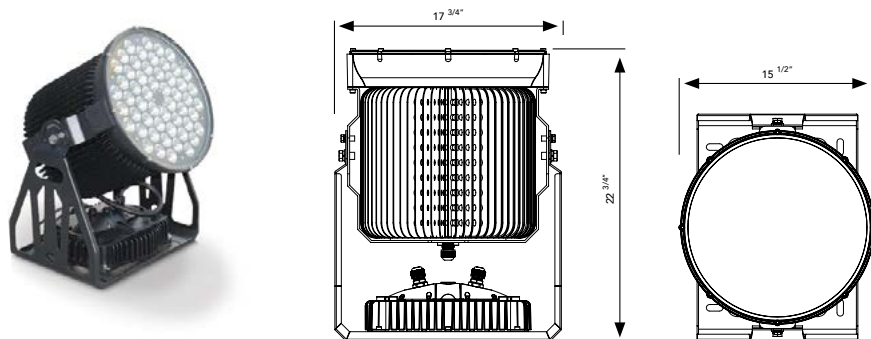
60W - 120W



180W - 240W



300W - 360W



Due to continuous improvement and innovation, product appearance and specifications may change without notice. Actual performance may differ as a result of end-user environment and application.

TOLL-FREE: 888-410-5337 | FAX: 614-868-5344 | © 2026 SpecGradeLED

[www.SpecGrade.com](http://www.SpecGrade.com)