

SPEC PRO

LED SPORTSLIGHTER

500W, 700W
REPLACES UP TO A 1600-WATT METAL HALIDE FIXTURE

- Double-Folded Aluminum Fin Heatsink
- Suitable for Indoor and Outdoor Locations
- Expected Life over 100,000 Hours
- Available in 500W and 700W
- Superior Optics for Exceptional Beam Uniformity



SPL Shown With Optional VGS Glare Shield



POWER

Available in 500W and 700W Configurations

PRECISION

High-Precision Optics are Paired with an Engraved Protractor for Proper Aim

ENGINEERING

Folded-fin Heatsink Keeps High-Output LEDs Cooler During Operation

ORDERING INFORMATION

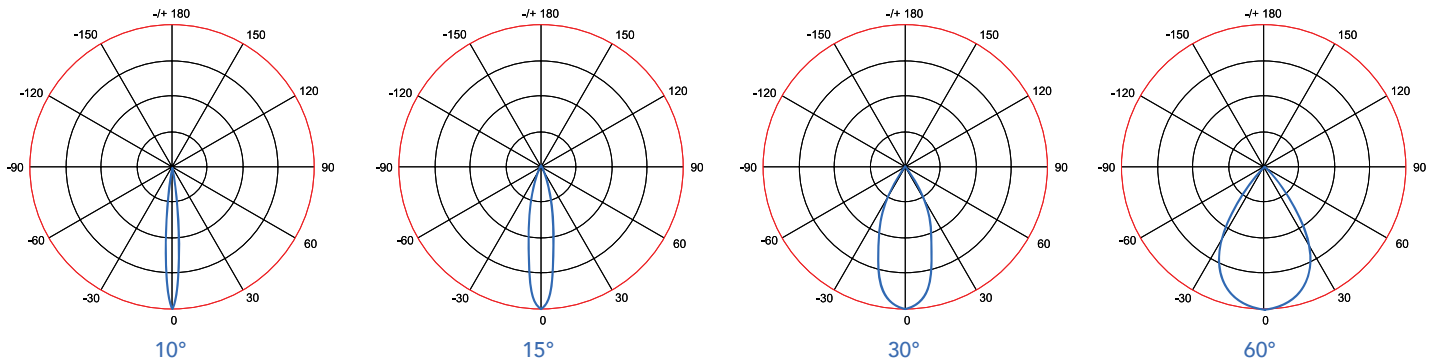
EXAMPLE PART #: SPL - 500 - 40K - 15 - V01 - BL - TL - VDIM - 80C

SPL									
SERIES	WATTS	CCT	OPTICS	INPUT PWR	FINISH	MOUNTING	DIMMING	OPTIONS	
SPL	500	40K	10	V01 110/277V	BL	TL Tilt Bracket (Remote Driver)	NDIM No Dimming	SP-10 Surge Protector 10kA	
	700	50K	15	V04 347/480V	WT	HT Horizontal Tennon (Remote Driver)	VDIM 0-10V Dimmable	SP-20 Surge Protector 20kA	
		57K	30		BGS Bullseye Glare Shield			90C 90 CRI	
			60		RAL		DDIM DALI Dimming	80C 80 CRI	SF14 Slipfitter for 2-3/8" Tennon

NOTES

- Remote Driver Standard; Distance from Luminaire May Not Exceed 100'.
- Standard Remote Driver Distance from Luminaire is 6' unless Otherwise Specified.
- 74 CRI Standard
- Custom RAL Colors Require Additional Costs & Lead Times

OPTICS



Due to continuous improvement and innovation, product appearance and specifications may change without notice. Actual performance may differ as a result of end-user environment and application.

SPEC PRO

LED SPORTSLIGHTER



LUMEN CHART

	4000K	5000K	5700K
500W	62,100 lm	62,300 lm	63,200 lm
700W	82,900 lm	83,100 lm	84,500 lm

Typical delivered lumen data is approximate. Actual lumens will vary due to installation environment and beam pattern. Please see IES files.

SPECIFICATIONS

- Expected Life** | Over 100,000 hrs.
- Rating** | IP65 Housing / IP66 Boards
- Color Rendering Index (CRI)** | >74
- Operating Temp** | -45°C – +65°C
- Relative Humidity** | 0-90% RH
- Power Factor** | >96%
- Input Line Voltage** | 90-305 / 200-525 VAC
- Input Line Frequency** | 50/60 Hz
- THD** | <10%
- LED Chips** | Osram
- Driver** | Remote: Inventronics/Meanwell
- Weight & EPA** | See Chart
- Vibration Rating** | 3.0G per ANSI 136.31

LISTINGS

- UL** | 1598
- UL Surge Protection** | 1449
- ANSI Surge Protection** | C62.41.2
- ETL Listed**
- CE Listed**
- DLC Listed**

EPA & WEIGHT

500W & 700W Standard Fixture	Front	Side
90° From Horizontal	2.9	1.3
45° From Horizontal	1.7	1.3
0° From Horizontal	1.3	1.3

500W & 700W Fixture w/VGS	Front	Side
90° From Horizontal	2.9	1.9
45° From Horizontal	1.7	1.9
0° From Horizontal	1.3	1.9

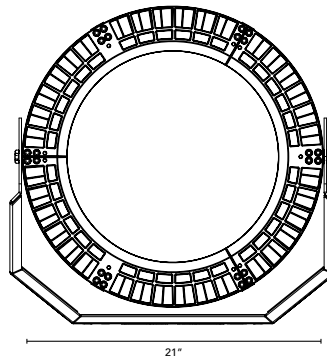
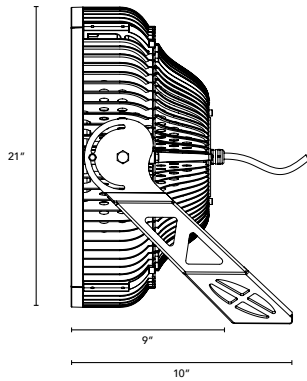
500W & 700W Fixture w/BGS	Front	Side
90° From Horizontal	2.9	1.9
45° From Horizontal	1.7	1.9
0° From Horizontal	1.9	1.9

MATERIALS

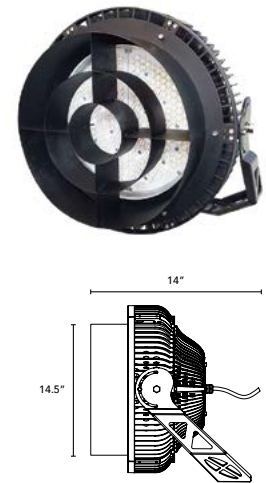
- Housing** | Corrosion Resistant Aluminum
- Gasketing** | Neoprene Rubber
- Hardware** | 18-8 Stainless Steel
- Finish** | Protective UV Stabilized Powdercoat
- 4000 Hour Salt Spray Tested to ASTM B117**
- Lens** | Tempered Glass

PRODUCT DRAWINGS

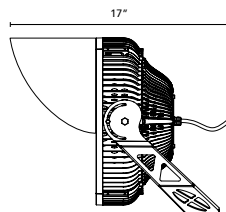
Standard



BGS: Bullseye Glare Shield



VGS: Visor Glare Shield



Remote Drivers



- Distance from Luminaire May Not Exceed 100'. Standard Remote Driver Distance from Luminaire is 6' unless Otherwise Specified.

SF14



- Slipfitter for 2-3/8" Tennon

Due to continuous improvement and innovation, product appearance and specifications may change without notice. Actual performance may differ as a result of end-user environment and application.

TOLL-FREE: 888-410-5337 | FAX: 614-868-5344 | © 2026 SpecGrade

www.SpecGrade.com