

Durable Stadium Lighting Solution



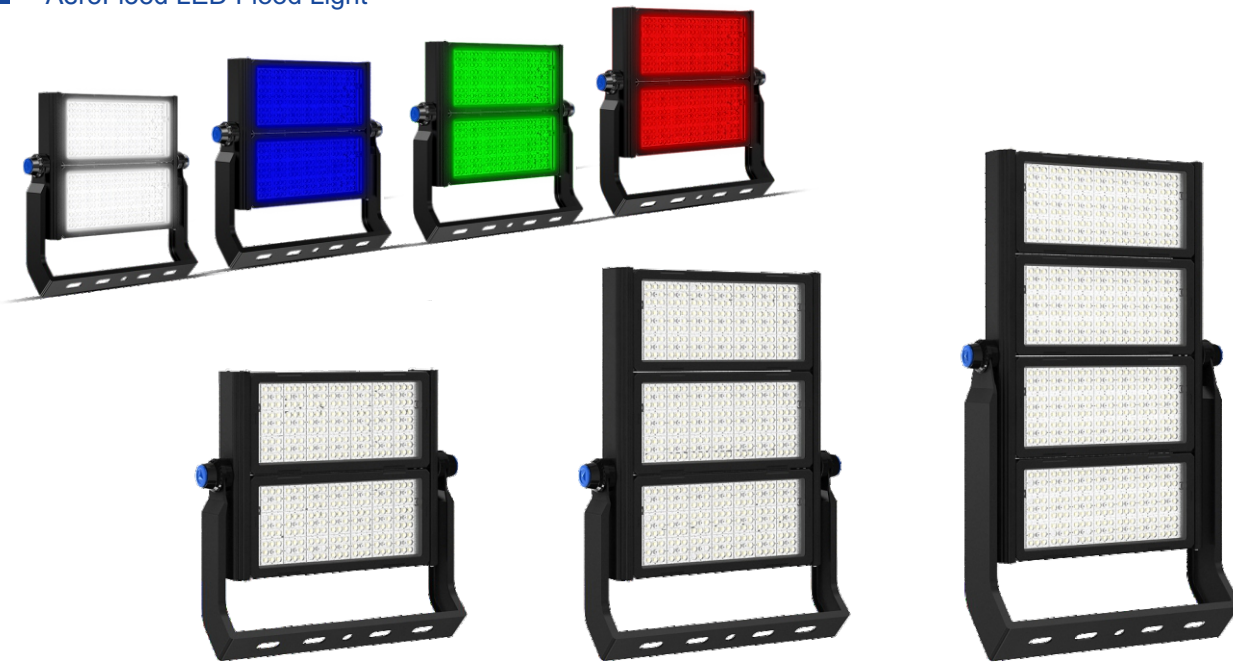
AeroFlood

LED Flood Light

Specsheet-4-2026

 **SpecGrade** *Since 2010*

AeroFlood LED Flood Light



Product Description

Q series produce ideal light distribution with the highest reliability level - incredibly high over 93% total efficiency while saving up to 80% energy compared with traditional lighting. With die-cast aluminum(ADC12) housing, rugged and weather-tight design, this durable luminaire can withstand the most demanding elements, ideal for use in high vibration areas and extreme outdoor conditions. Its aesthetically pleasing design makes it a wonderful lighting scene in the environment.

Features

- RGB and RGBW are optional, intelligently controlled by DALI, DMX512.
- Modules can be adjusted individually and as a whole to suit different needs on the angle.
- Customers can purchase module components and assemble them by themselves, which can reduce shipping costs.
- Cold forging aluminum housing with polyester powder coated finish, excellent heat dissipation and corrosion resistance.
- High-quality optical material and various light distribution angles deliver ideal illumination and visual comfort.

Compliance

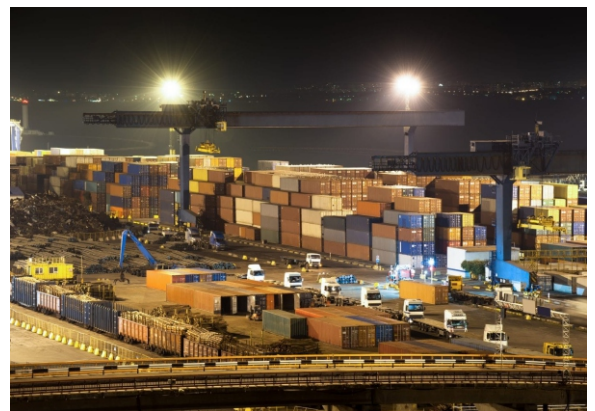
ETL
ENEC
CB
CE
SAA
RoHS
ErP
EMI

Application

- Sporting Facility
- Stadium
- Paper mills
- Container Loading Area
- Shipping Yard
- High Mast Roadway
- Airport
- Industrial Lighting
- Parking Lot
- Railway
- Port
- Public Square

Warranty

5-Year Standard Warranty
50,000 hrs L70B50@35°C



Technical Parameter

• Electrical

Specification	FL-Q2xxxWDXXYK	FL-Q3xxxWDXXYK
Rated Power	500W/600W/700W	750W/900W/1050W
Input Voltage	AC120-277V/AC120-347V/AC277-480V	AC120-277V/AC120-347V/AC277-480V
Input Frequency	50/60Hz	50/60Hz
Power Factor	0.95	0.95
THD	<15%	<15%
Power Supply	Driver Brand: Inventronics/Sosen/Meanwell	Driver Brand: Inventronics/Sosen/Meanwell
Surge Protection	10kV	10kV

• Optical

Specification	FL-Q2xxxWDXXYK	FL-Q3xxxWDXXYK
Lumen Output	65,000lm-105,000lm	97,500lm-157,500lm
Lumens Per Watt @Ra70	130lm/W, 150lm/W	130lm/W, 150lm/W
Beam Angle	15°/30°/45°/60°/90°/120°/T3VS	15°/30°/45°/60°/90°/120°/T3VS
LED Type	3030/5050	3030/5050
CCT	4000K/5000K/6500K/RGB(optional)/RGBW(optional)	
CRI	Ra70(Standard), Ra80(Optional)	Ra70(Standard), Ra80(Optional)
Dimming	0-10V Dimming	0-10V Dimming
Intelligent Control	DMX512/DALI (optional)	DMX512/DALI (optional)

• Environmental

Specification	FL-Q2xxxWDXXYK	FL-Q3xxxWDXXYK
Ambient Operating Temperature	-40°C to 50°C (-40°F to 122°F)	-40°C to 50°C (-40°F to 122°F)

• Mechanical

Specification	FL-Q2xxxWDXXYK	FL-Q3xxxWDXXYK
Housing Material	ADC12 Aluminum	ADC12 Aluminum
Lens Material	Anti-UV PC Optical Material	Anti-UV PC Optical Material
Protection	IP66/IK08	IP66/IK08
Mounting	Bracket	Bracket
EPA	1.16Ft²	1.76Ft²
Outlet Wire	Standard outlet length is 0.5-0.8 meters, and the outlet length can be customized	

Technical Parameter

• Electrical

Specification	FL-Q4xxxWDXXYK
Rated Power	1200W/1400W
Input Voltage	AC120-277V/AC120-347V/AC277-480V
Input Frequency	50/60Hz
Power Factor	0.95
THD	<15%
Power Supply	Driver Brand: Inventronics/Sosen/Meanwell
Surge Protection	10kV

• Optical

Specification	FL-Q4xxxWDXXYK
Lumen Output	156,000lm-210,000lm
Lumens Per Watt @Ra70	130lm/W, 150lm/W
Beam Angle	15°/30°/45°/60°/90°/120°/T3VS
LED Type	3030/5050
CCT	4000K/5000K/6500K/RGB(optional)/RGBW(optional)
CRI	Ra70(Standard), Ra80(Optional)
Dimming	0-10V Dimming
Intelligent Control	DMX512/DALI (optional)

• Environmental

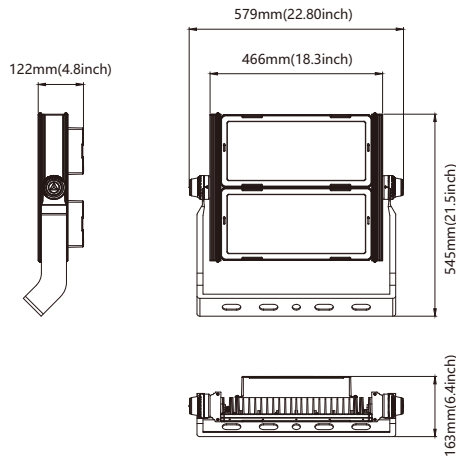
Specification	FL-Q4xxxWDXXYK
Ambient Operating Temperature	-40°C to 50°C (-40°F to 122°F)

• Mechanical

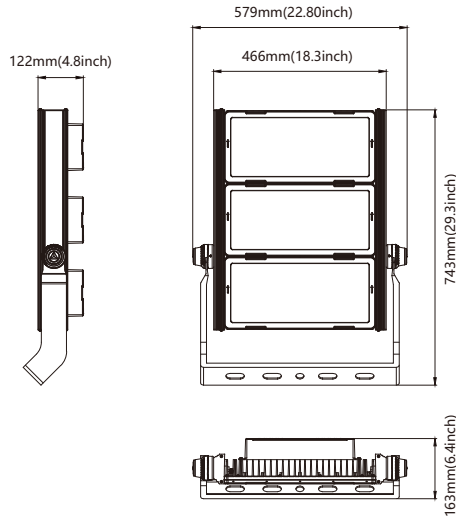
Specification	FL-Q4xxxWDXXYK
Housing Material	ADC12 Aluminum
Lens Material	Anti-UV PC Optical Material
Protection	IP66/IK08
Mounting	Bracket
EPA	2.34Ft²
Outlet Wire	Standard outlet length is 0.5-0.8 meters, and the outlet length can be customized

Product Dimensions

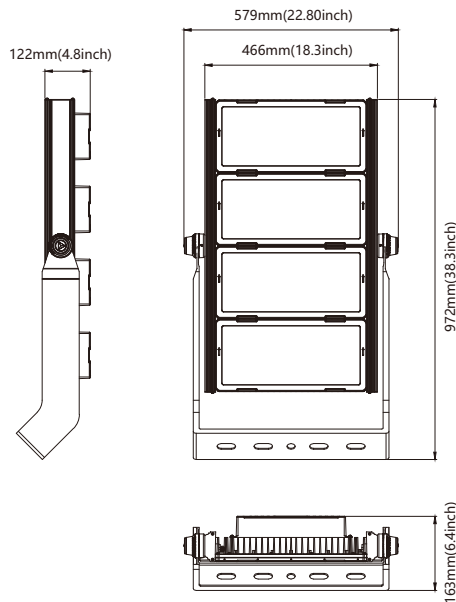
FL-Q2xxxWDXXYK



SP-Q3xxxWDXXYK



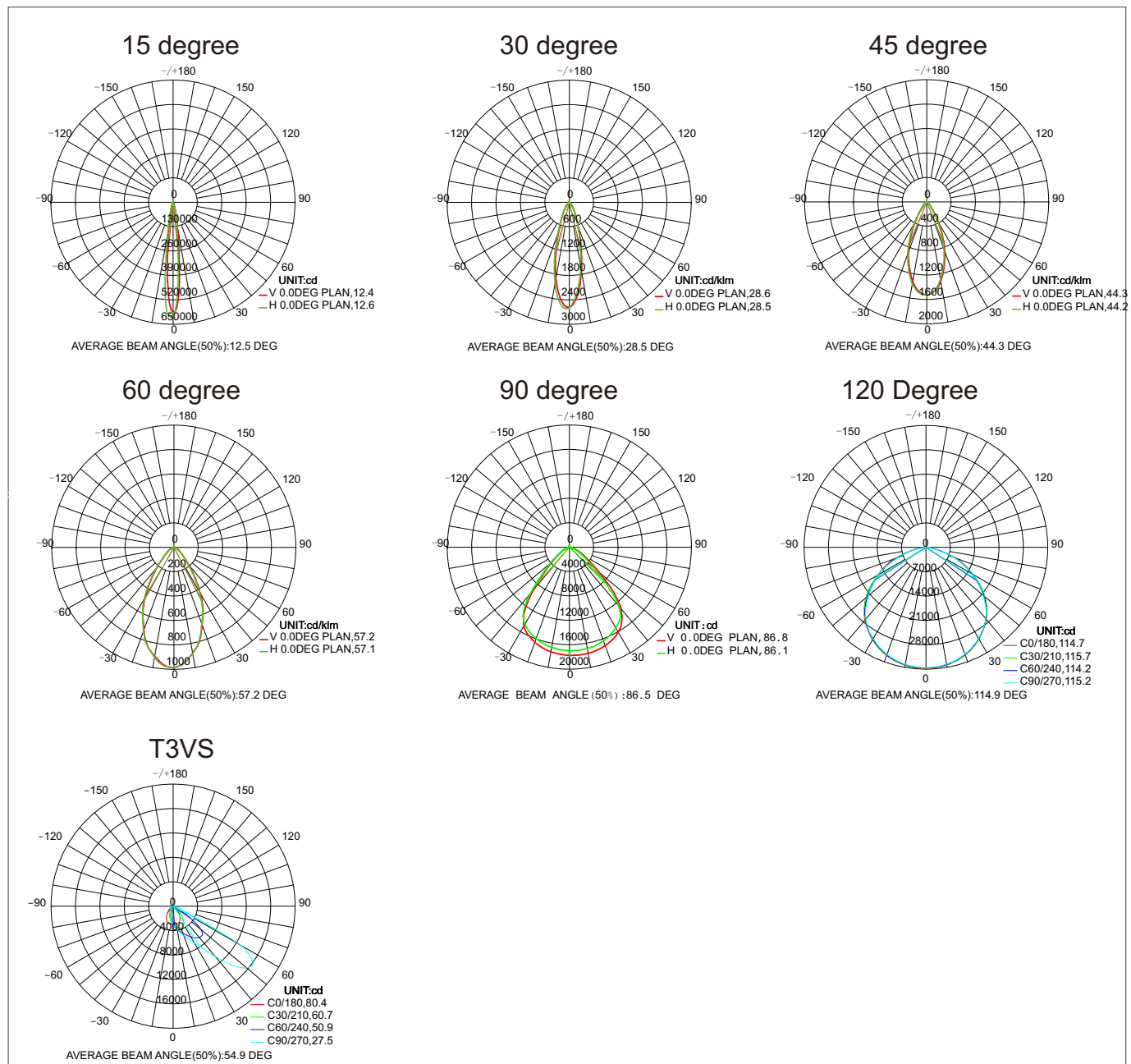
SP-Q4xxxWDXXYK



• Packing Information

Model	Net Weight (Product)	Quantity/Carton	Gross Weight	Package Dimensions (LxWxH)
SP-Q2xxxWDXXYK	8.3kg (18.3lbs)	1 pc	11.4kg (25.1lbs)	624x631x250mm(24.6x24.8x9.8inch)
SP-Q3xxxWDXXYK	16.7kg (36.8lbs)	1 pc	21.1kg (46.5lbs)	822x631x250mm(32.4x24.8x9.8inch)
SP-Q4xxxWDXXYK	23.2kg (51.1lbs)	1 pc	29.3kg (64.6lbs)	1051x663x290mm(41.3x26.1x11.4inch)

Photometric



Due to continuous improvement and innovation, product appearance and specifications may change without notice. Actual performance may differ as a result of end-user environment and application.

Ordering Guide

FL - Qx xxxW D XX Y K

FL: Flood light

Qx: Product series; Can be Q2/Q3/Q4

xxxW: Wattage; Q2: 500/600/700W, Q3: 750/900/1050W, N4: 1200/1400W

D: Dimmable LED driver

XX: CCT; 40=4000K, 50=5000K, 65=6500K, RGB=RGB, RGBW=RGBW

Y: Beam angle; A=15°, B=30°, C=45°, D=60°, E=90°, F=120°, I=T3VS K:

Input Voltage; D=AC120-277V, B=AC120-347V, C=AC277-480V