

FoodSafe Bay

FOOD PROCESSING LIGHT



CCT

Power

*Power and CCT can be adjustable.

MOUNTING METHODS



Hanging rings



With G3/4" NPT to M12 adapter



Surface mounting



G3/4" NPT Pole mounting

FEATURES

- ✓ Heavy-duty and high impact resistance.
- ✓ Replaceable LED board and drivers.
- ✓ Marine rating powder coated finish treatment.
- ✓ Various installation ways for different applications.
- ✓ 5 Year Warranty.

APPLICATION



TECHNICAL DATA

Model	HB10-100W UXYZ	HB10-130W UXYZ	HB10-200W UXYZ	HB10-240W UXYZ
Wattage	100W	130W	200W	240W
Input Voltage	120-277Vac,50/60Hz			
Power factor	> 0.9			
LED Driver	SOSEN / MOSO			
Lumens Per Watt	160LM/W			
CCT	2700-6500K			
CRI	Ra70 / Ra90			
Beam Angle	120°			
Dimming	Dimmable			
Lifespan	L70>100,000 Hours			
Chipset	LUMILEDS			
IP Rating	IP69K			
Operating Temp	80°C	75°C	60°C	55°C
Certifications	NSF,cUL,UL,CE,RoHS,DLC			
Net weight	5.5kg/12lb		7.2kg/15.87lb	
Product Dimension	420*165mm/17*6in		480*165mm/19*6in	
Packing Dimension (1 Pcs. per Carton)	451*451*222mm/18*18*9in		526*526*222mm/21*21*9in	

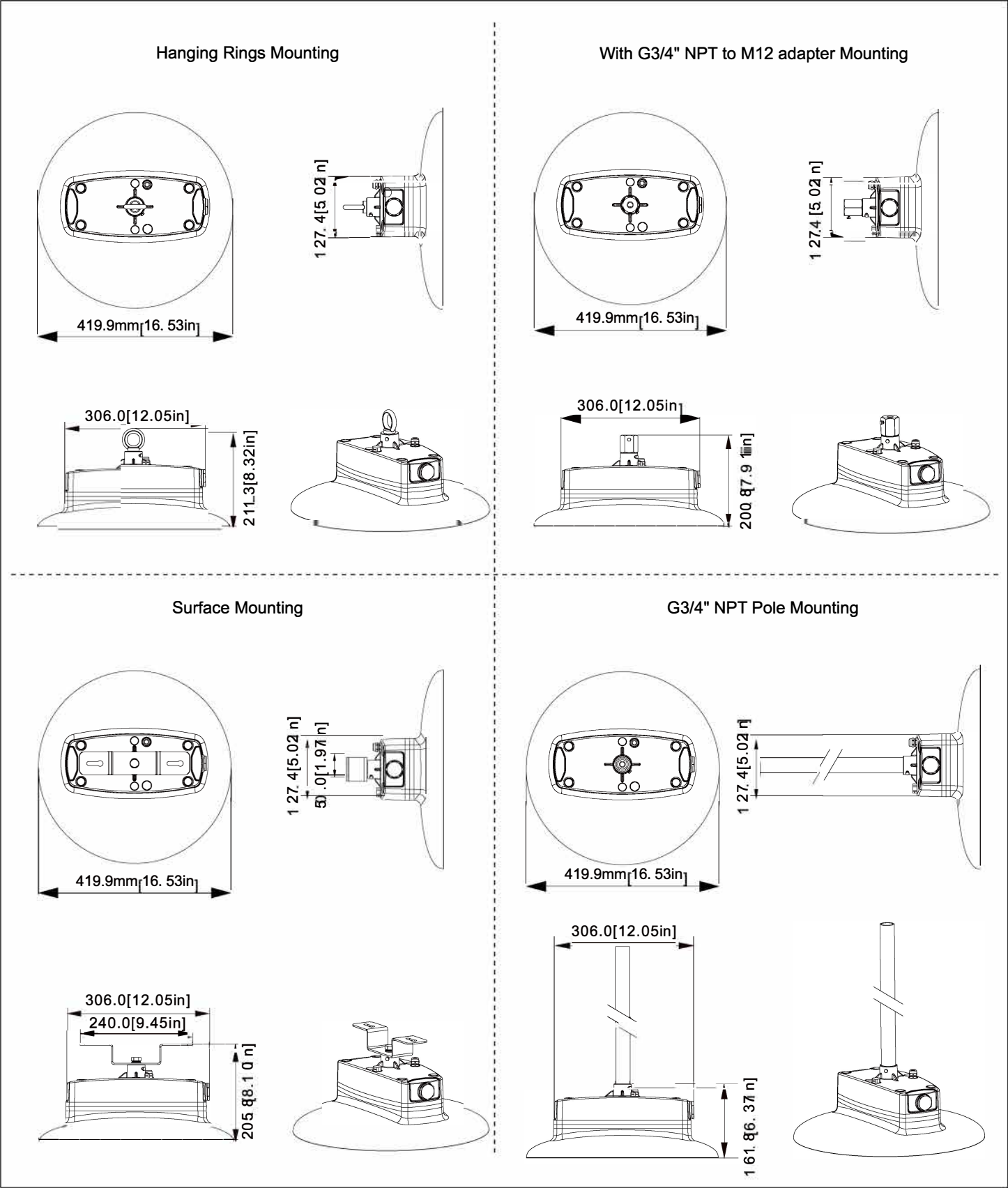
ORDERING GUIDE

HB10 - xxxW U X Y Z

1
2
3
4
5
6

1. Product Name	2. Wattage	3. Beam Angle	4. Dimming Function	5. CCT Temperature	6. Input Voltage
HB10	100W/130W/ 200W/240W	120°	D: Dimmable N: Non-Dimmable	2700-6500K	120-277Vac
Example : HB10-240W 120 N 27 120-277					
HB10	240W	120	N	27	120-277
Product Name HB10 Series	Rated Power 240W	Beam Angle	N=Non-Dimmable	CCT 2700K	AC120-277V

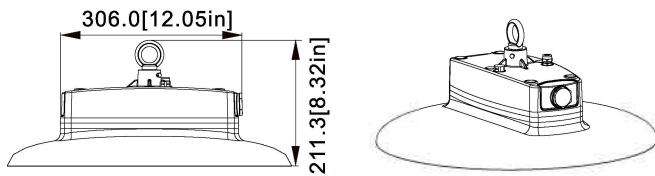
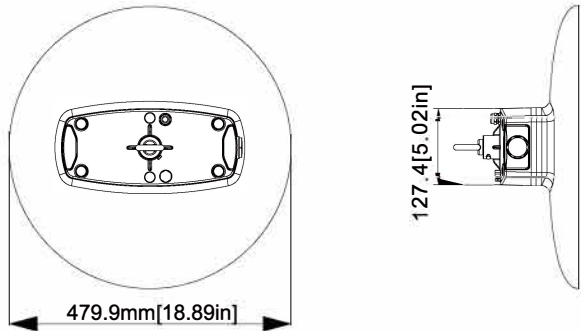
PRODUCT DIMENSION



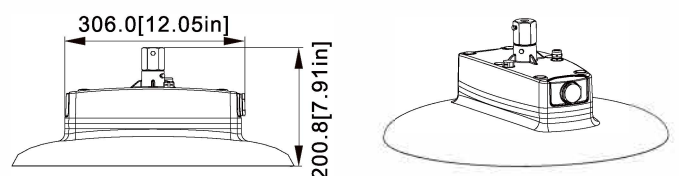
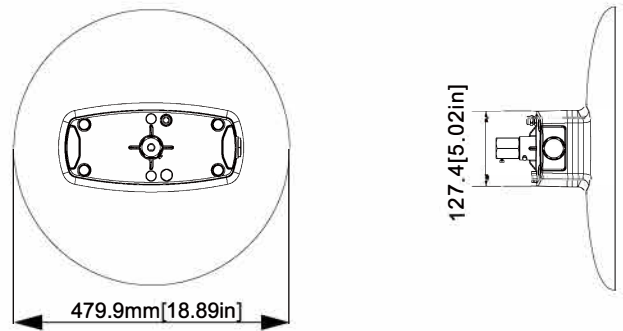
Due to continuous improvement and innovation, product appearance and specifications may change without notice. Actual performance may differ as a result of end-user environment and application.

PRODUCT DIMENSION

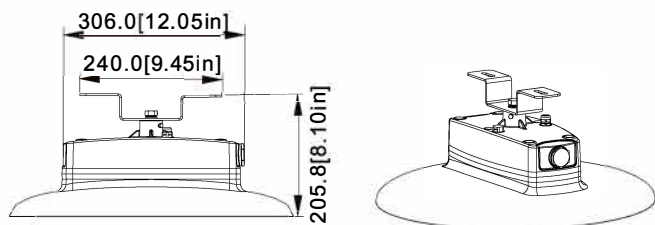
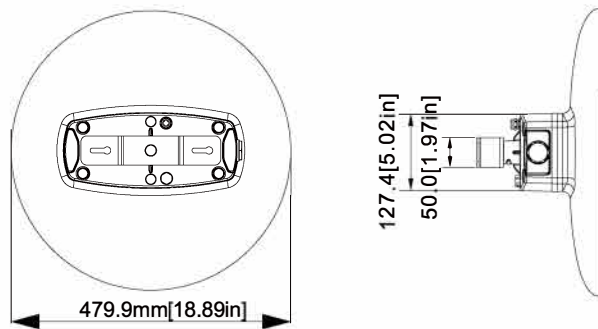
Hanging Rings Mounting



With G3/4" NPT to M12 adapter Mounting



Surface Mounting



G3/4" NPT Pole Mounting

