

CP-xxxWGXXYKZ

CanopyMax-white



Product Applications

SpecGrade LED Canopy Lighting A series is applicable in indoor or outdoor areas (wet locations) like parking garages, mechanical or electronic processing workshops, storage warehouses, steel mills, gas stations, toll booths, waiting rooms, the platforms of railway stations, indoor stadiums and power cultivating tents, etc.

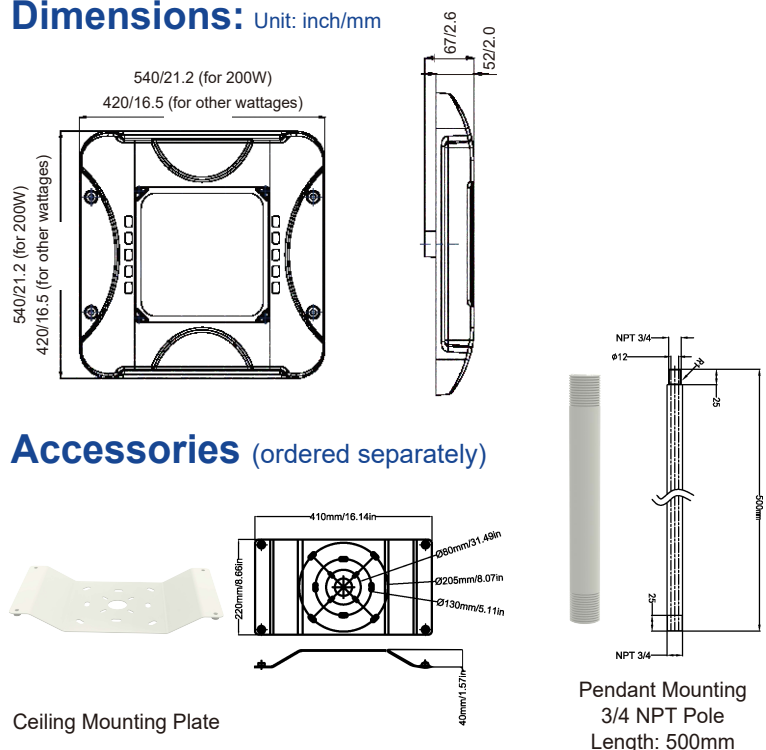
Specifications:

- ◆ Power Consumption(±5%): 60W; 80W; 100W; 120W; 200W
100W/120W/150W (adjustable)
- ◆ Input Voltage: AC120-277V; AC120-347V; AC277-480V (50/60Hz)
- ◆ Power Factor: > 0.95
- ◆ Surge Protection: 10kV(standard)6kV
- ◆ Intelligent Control: 0-10V
- ◆ Efficiency(±10%): 140lm//W
- ◆ Color Temperature(CCT): 2700K-6500K
- ◆ Color Rendering Index(CRI): ≥70
- ◆ Beam Angle: 110°
- ◆ Housing Material: Aluminum
- ◆ Mountings: Ceiling mounting, pendant mounting
- ◆ Finish: Baking varnish
- ◆ Fixture Color: White
- ◆ IK Rating: IK08
- ◆ IP Rating: IP66
- ◆ Working Temperature: -20°C~-45°C(-4°F~-113°F)
- ◆ Lifespan: 50,000 hours
- ◆ Warranty: 5 years

Packing Information:

	for 200W	for Other Wattages
Product Dimension	540x540x67mm (21.2x21.2x2.6inch)	420x420x67mm (16.5x16.5x2.6inch)
Packing Size	585x580x115mm (23.0x22.8x4.5inch)	470x465x120mm (18.5x18.3x4.7inch)
Luminaire Net Weight	6.5kg(14.33lb)	5.5kg(12.1lb)
Gross Weight	7.5kg(16.53lb)	6.0kg(13.2lb)

Dimensions: Unit: inch/mm

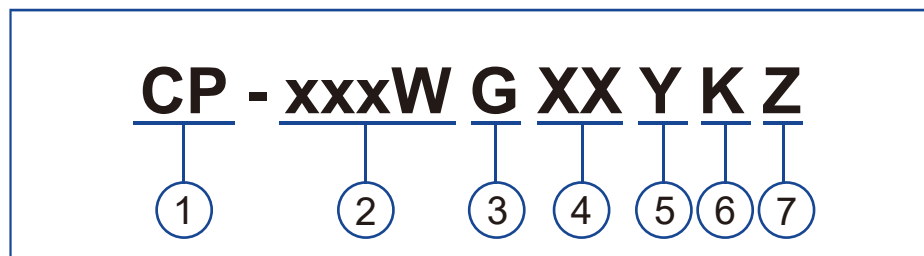


CanopyMax-White

Features

- ◆ Suitable for ceiling and pendant mounting.
- ◆ Ideal for applications in harsh environments.
- ◆ 140 lumens per watt help reduce energy savings payback time.
- ◆ Excellent light distribution and uniformity.
- ◆ Stainless steel clips.
- ◆ 50,000 hours of operation and 5 year warranty.
- ◆ Optional 100% DR lens additive for impact resistance.
- ◆ Ideal for high moisture areas where abuse is possible.
- ◆ Built-in constant current driver LED with high efficiency LED module.
- ◆ Specialized for the rebate system in North America.

Catalog Number Logic



1 PRODUCT CATEGORY

- ◆ LED Canopy Light

2 POWER

- ◆ 60W; 80W; 100W; 120W; 150W; 200W
100W/120W/150W adjustable

3 DIMMING OPTION

- ◆ G=D (Dimming driver)
G=N (Non-dimming driver)

4 Color Temperature

- ◆ XX can be 27,30,35,40,45,50,57,60,65.
It denotes 2700K...6500K

5 Light Distribution

- ◆ Y=F (110°)

6 Input Voltage

- ◆ K=A (AC120-277V)
K=B (AC120-347V)
K=C (AC277-480V)

7 Additional Function

- ◆ Z=S (Sensor)
Z=E (Emergency backup battery)
Z=Blank (Without sensor and emergency backup battery)

Warranty

This product has a warranty of 5 years from the date of purchase. The warranty is invalid in the case of improper use installation, tampering, and removal of the Q.C. date label, installation in an improper working environment or installation not according to the current edition of the National Electric Code. Should this product fail during the warranty period it will be replaced free of charge, subject to correct installation and return of the faulty unit. SpecGrade does not accept responsibility for any installation costs associated with the replacement of this product. This warranty is in addition to the statutory rights in your country of purchase. SpecGrade reserves the right to alter specifications without prior notice.