

NOVA™

L70
25°C

178,000 Hours

NSF 2 • IP67 • COLD STORAGE • HIGH-TEMP • HIGH-BAY


**FOOD & BEVERAGE
PROCESSING**


**MANUFACTURING
& DISTRIBUTION**


**LIVESTOCK
FARMING**

The Nova LED high-bay is a third generation fixture designed for the harsh environments found in food processing and heavy manufacturing facilities. This industrial grade fixture is an ideal replacement for traditional 400W–1000W metal halide fixtures providing up to 70% energy savings.



U.S. Patent No. 10900619

⚙️ PERFORMANCE

Lumen Output	18,000-39,000 lumens
Lifespan	L70>178,000 Hours
Ambient Temperature	-40°F to 149°F (-40°C to 65°C)
Warranty	5 Years
Efficacy	Up to 150 LPW
Power Washing	Up to 1600 PSI

⚡ ELECTRICAL

Operating Voltage	120-277V, 347-480V
Input Frequency	50/60Hz
Input Wattage	120-260W
Surge Protection	10kV (20kV Optional)
Dimming	0-10V
Power Input	Standard 10' Yellow Cable (5-Conductor Wire to Pigtails) (Black, White, Green, Purple, Gray)

✂️ CONSTRUCTION

IP Rating	IP67
IK Rating	IK10 (pending)
Dimensions	17"H x 18"W
Housing	Die Casted Aluminum Alloy
Finish	High Efficiency Heat Dissipating Powder Coat
Lens	Shatterproof, Polycarbonate (Not Recommended for Alkaline Industrial Cleaners)
NPT	3/4" Female

👁️ OPTICAL

CRI	≥80
CCT	4000K, 5000K
Beam Angle	90°, 120°

Project Information:

Project Name: _____

Complete Catalog #: _____

Fixture Type: _____

Comments: _____

Certification & Listings:



NSF 2 – Food Splash Zone

An ETL Sanitation Mark on Food Service Equipment indicates that equipment is tested to ANSI/NSF 2 is fit for use in the production of food intended for human consumption, or the equipment is fit for use in an environment where food intended for human consumption is produced.

Emergency Battery Backup

- Option for Nova fixtures**
- Minimum 90-Minute Duration
 - 16W 2400 Lumen Maximum Based on Fixture Wattage
 - Temperature Range from 50°F to 122°F (10°C to 50°C)
 - 120-277V Only

We have custom and standard manufacturing options. Use this form to build your part number or reach out to our sales team for assistance.

GET YOUR PRODUCTS FASTER WITH OUR QUICK SHIP PROGRAM

Multiple USA locations = 98-3-1 Quick Ship Program
98% Fill Rate – 3 Day Lead Time – 1 Piece Minimum Order

Order Information Example:		NOVA18LWDMVSPHS450K80HKGP5							
NOVA		80							
Model	Lumen Pkg	Distribution	Voltage	Internal Surge Protector	Control Option	CCT	CRI	Mounting	Finish
NOVA= Nova LED High Bay	18L=18,000 23L= 22,500 30L=30,000Δ 39L=39,000	MD=Medium (90°)Δ WD=Wide (120°)	MV=120-277v HV=277-480v Δ	Leave Blank= Standard 6kV SP=10Kv SP 120-277V SP2=20kV SP 120-277V SPH=20kV SP 277-480V	Leave Blank= No Controls S3=Microwave Sensor with Dimming for Mounting Heights of 8' to 40' S4=Microwave On/Off Motion Sensor for Mounting Heights of 8' to 18'	40K=4000K 50K=5000K	80=80 CRI	HK=Hook Mount (Included, Standard) PM=Pendant Mount Adapter	G=Gray W=White* *Model specific, please contact factory

Options & Accessories

Options		Plugs		Δ Option Value
Options	Description	Plugs	Description	Ordering Restrictions
EM	Emergency Battery Backup *see restrictions* Δ	P3	3pin Mini Connector Male Plug	EM Backup is not supported by HV fixtures
Y10	5 conductor yellow wire that is 10 feet long	5P	120v Plug Δ	EM Backup temperature range 10-50°C (50-122°F)
W10	5 conductor white wire that is 10 feet long	L7P	Locking 277v Plug Δ	Plug options 5P, L7P are not IP rated
S10	Aircraft Safety Cable 10'			MD lens option is only IP66 rated

Nova Characteristics

Lumen Package	Wattage			Amp			Dimensions			Comparable Light Source
	277V	347V	480V	277V	347V	480V	Diameter	Height	Height with Hook	
18L	116	114	115	0.44	0.34	0.25	17.93"	16.97"	20.94"	250W MH, 6-lamp T8 HBF, 4-lamp T5HO
23L	152	150	149	0.56	0.43	0.31	17.93"	16.97"	20.94"	400W MH, 6-lamp T5HO
30L	194	196	195	0.72	0.58	0.42	17.93"	16.97"	20.94"	575W MH, 10-lamp T8 HBF
39L	259	260	256	0.97	0.78	0.55	17.93"	16.97"	20.94"	750W MH, 8-lamp T5HO

Projected Lumen Maintenance

Nova 18L | 23L | 30L | 39L

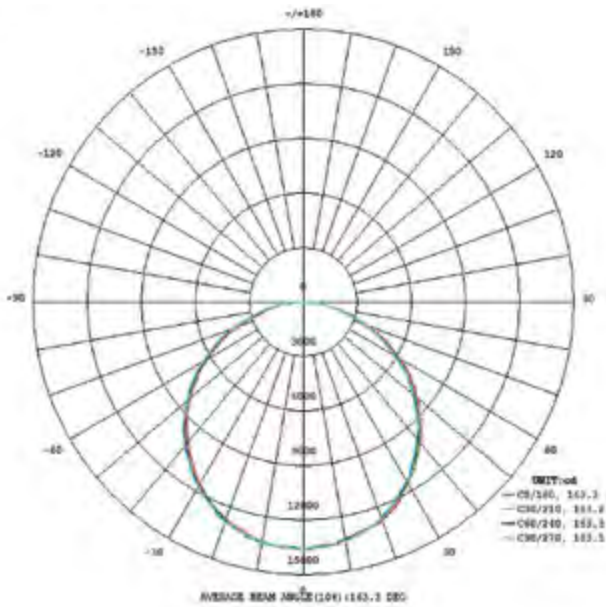
Operating hours	0	10,000	30,000	50,000	70,000	100,000
Lumen maintenance factor	1	0.99	0.96	0.92	0.89	0.84

Ambient Temperature Ratings

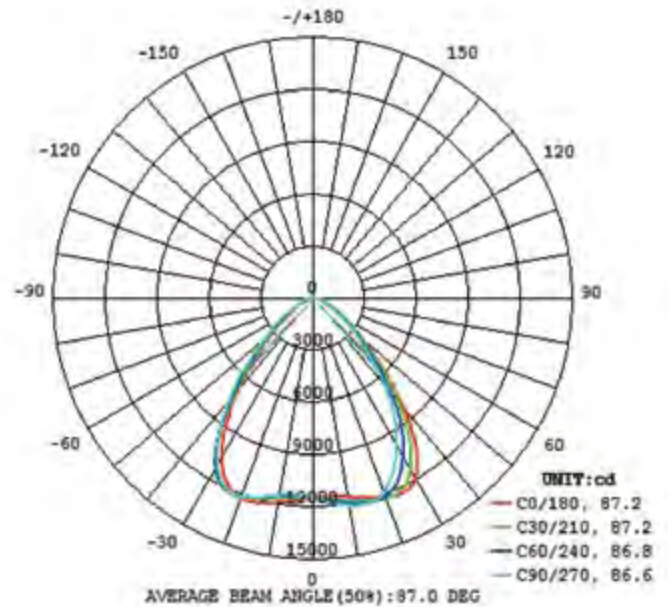
Lumen Package	Fixture	with MS	with EM
18L 23L 30L 39L	-40°C to 65°C	-40°C to 65°C	10°C to 50°C

Nova Distribution Diagram

Nova WD Light Distribution

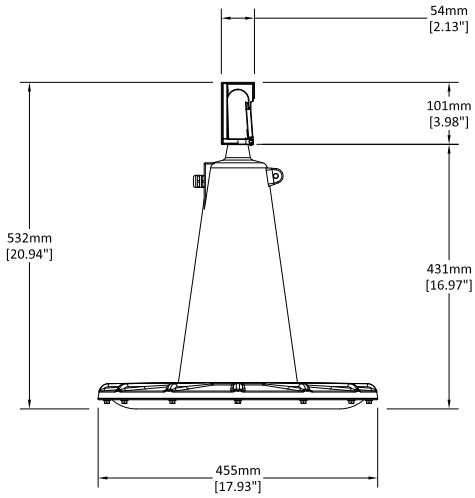


Nova MD Light Distribution

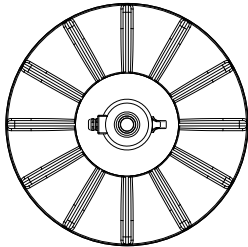


Dimensional Data

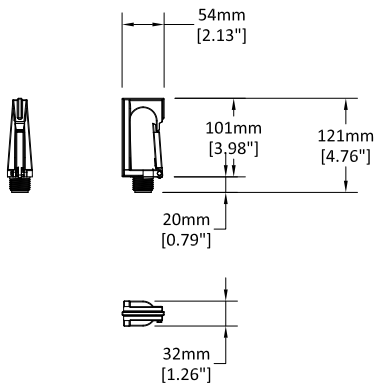
Nova with Hook



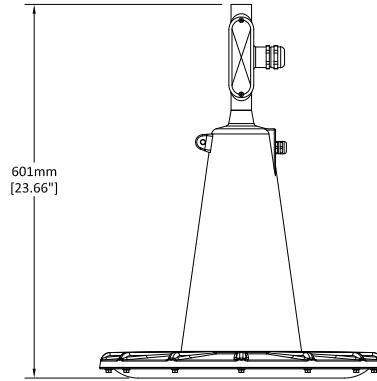
Top View



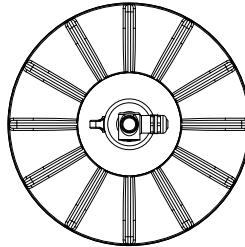
Hook



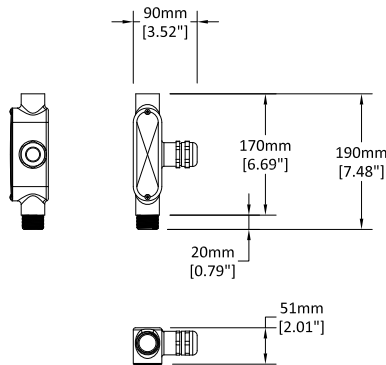
Nova with Pendant Mount Adapter



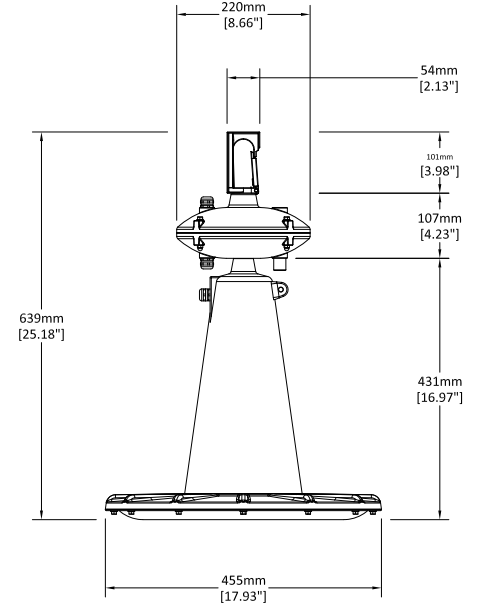
Top View



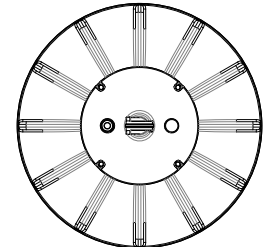
Pendant Mount Adapter



Nova with EM and Hook



Top View



Bottom View

