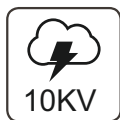


# Night Guard 2 SERIES



## Features

The Shoebox Light is an impressive blend of performance, value and aesthetics. It is available in a wide range of lumen packages to meet a variety of outdoor lighting needs, including campus and parking lot applications. The area luminaire can be combined with a complete, architecturally sophisticated LED family to create a total solution for commercial, municipal, retail, education and hospitality applications.

The optional visual comfort optic distributes light through a non-pixelated light source that produces uniform, eye-friendly illumination with minimal glare. The high-performance, IP66-rated luminaire delivers a minimum of 140 lumens per watt, resulting in significant energy savings while ensuring a long service life in the field.

### Application:

Outdoor roadway mainly  
 large industrial area, parking field, sidewalks  
 IP66, wet location  
 Working temperature: -40°C to +50°C  
 Electronic data  
 Input voltage: 120-277Vac, 120-347Vac, 277-480Vac  
 10KV surge protection std.  
 PF > 90% and THD < 10% (full loading)  
 Free of flickering  
 Smart function  
 Dimming function with 3 in 1 (continual dimming)  
 Optional for motion sensor and photocell controller

### Optics:

CCT: 3500-4000-5000K / 4000-5000-6000K  
 CRI: Ra70 / Ra80  
 Light efficacy: up to 140 lm/W  
 Beam angle : T3M or T3/T4/T5 Adjustable

### Others:

Pole and wall mounting  
 Shell materials: Aluminum die casting & PC  
 Finishing: Brown/White/Black/Customization  
 5 year warranty

## Sensor:



Photocell sensor



Shorting cap



DC sensor

## Accessories:



Adjusted Arm Mounting Kit



Arm Mounting Kit



Slip Fitter



Trunnion Mounting Kit



Bracket

Model	G1	G2	G3
Adjustable Wattage	180/150/100W 150/100/80W	240/200/150W 200/150/100W	300/240/200W 240/200/150W
Adjustable Wattage&CCT	140/100/80W 3500/4000/5000K	180/150/100W 3500/4000/5000K	300/240/200W 3500/4000/5000K
Adjustable Wattage&CCT &Beam Angle	140/100/80W 3500/4000/5000K T3M/T4M/T5M	180/140/100W 3500/4000/5000K T3M/T4M/T5M	300/240/200W 3500/4000/5000K T3M/T4M/T5M
Light Efficiency	140lm/W@CRI 70		
Input Voltage	AC120-277V/AC120-347V/AC277-480V		
Power Frequency	50/60Hz		
Power Efficiency	94%		
Power Factor	0.95		
Heat Radiator	Die-Cast Aluminum		
Beam Angle	T3M or T3/ T4/ T5 Adjustable		
LED Type	3030 for Adjustable Beam Angle/2835 for Non-adjustable Beam Angle		
Driver	Moso for 120-277V/120-347V; Sosen for 277-480V		
CRI	70/80		
CCT	2700K/3000K/3500K/4000K/4500K/5000K/5500K/6000K/6500K		
Working Life-span	> 50000hours		
IP Rating	WET LOCATION AND IP66		
Surge Protection	10/20kV(optional)		

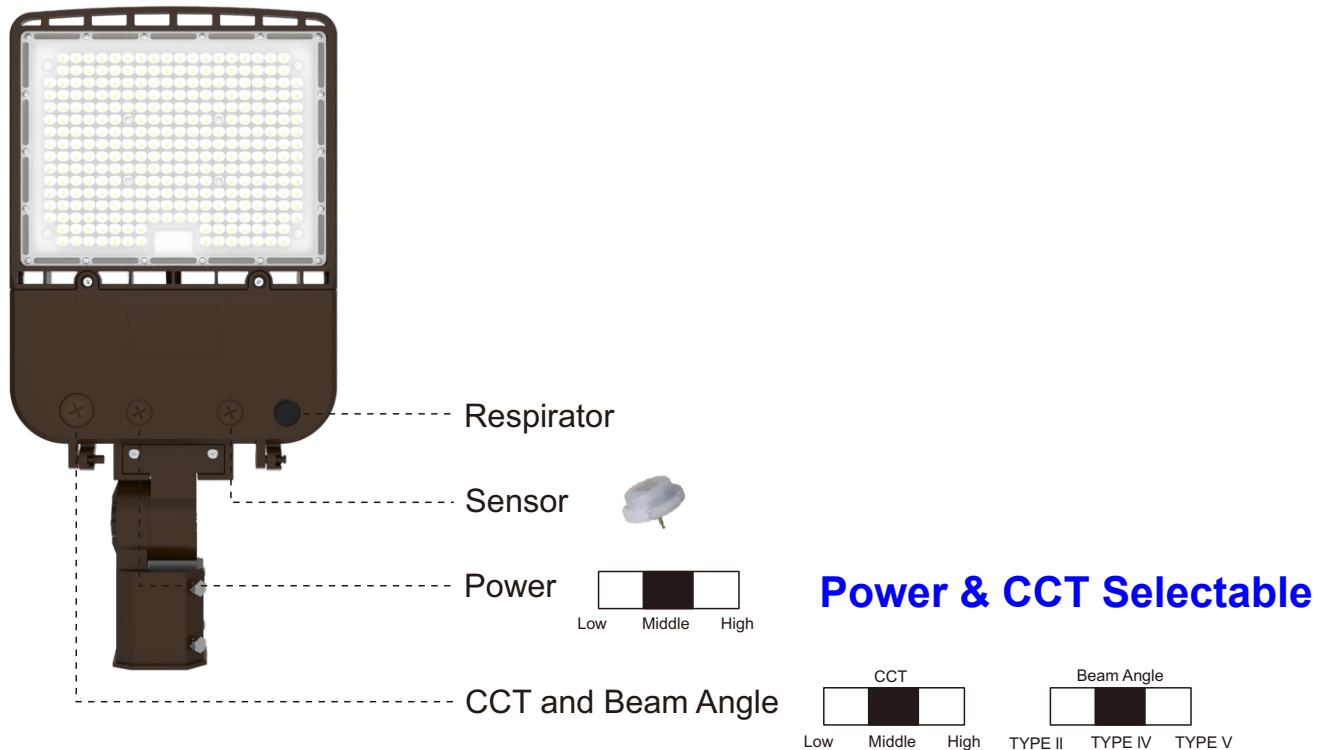
## Catalog Number Logic:

**SB-YXXXW GX XX X XX-XX X XXX X**

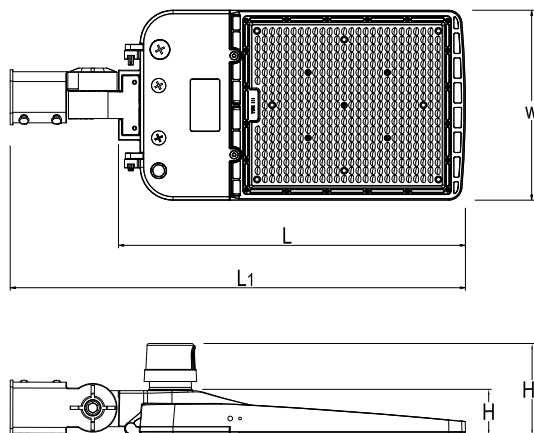


<b>① PRODUCT NAME</b> SB=Shoe Box	<b>② WATTAGE</b> A140W=140W/100W/80W Adjustable A150W=150W/100W/80W Adjustable A180W=180W/150W/100W Adjustable A200W=200W/150W/100W Adjustable A240W=240W/200W/150W Adjustable A300W=300W/240W/200W Adjustable N140W=140W      N150W=150W N180W=180W      N200W=200W N240W=180W      N300W=200W	<b>③ MODEL NO.</b> G1 G2 G3	<b>④ Optics</b> T3=Type 3 TM=Type 3/Type 4/Type 5 Adjustable N: Non-Dimmable	<b>⑤ Dimming Function</b> D: Dimmable N: Non-Dimmable
<b>⑥ CCT Temperature</b> 27=2700K      30-50=3000K/4000K/ 5000K Adjustable 30=3000K      40-57=4000K/5000K/5700K Adjustable ..... 65=6500K      40-65=4000K/5000K/65 00K Adjustable	<b>⑦ Photocell Sensor</b> N:With Photocell Sensor Y:Without Photocell Sensor	<b>⑧ Different Installation Methods</b> AAM:Adjusted Arm Mounting Kit AMK:Arm Mounting Kit SFM:Slip Fitter TUM:Trunnion Mounting Kit BRK:Bracket	<b>⑨ InputVoltage</b> A:120-277V B:120-347V C:277-480V	

## Benefit

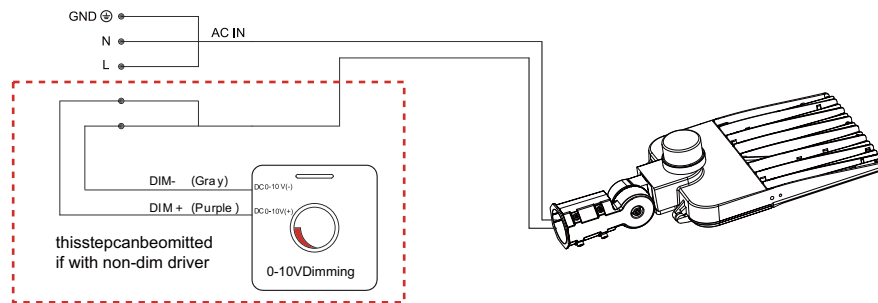


## Dimension



	L	L1	W	H	H1
SB-G1	387mm[15.23in]	553mm[21.77in]	290mm[11.42in]	70mm[2.76in]	140mm[5.51in]
SB-G2	420mm[16.53in]	586mm[23.07in]	290mm[11.42in]	70mm[2.76in]	140mm[5.51in]
SB-G3	530mm[20.87in]	696mm[27.40in]	290mm[11.42in]	70mm[2.76in]	140mm[5.51in]

## Wiring Diagram



Turn off the power, connect AC wire Dimmer connection (with dimmable driver).

1. Compatible with 0-10V dimming
2. Connect wires as below, Purple wire is DIM+, Gray wire is DIM-.

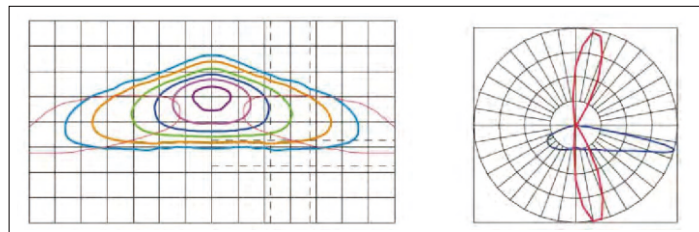
## Optics

Tech.Support:

Tell us the room L, W and usage, we have engineer team to respond the DIA LUX for lights quantity and effects, IES files are available upon request.

PHOTOMETRIC SPECIFICATIONS

T3M Type III Medium



## Packing Information

Model	Quantity/Carton	Net Weight	Gross Weight	Package Dimension (LxWxH)
SHOE BOX-G1	1 piece	4.1Kg	4.8Kg	630x325x120mm
SHOE BOX-G2	1 piece	4.7Kg	5.5Kg	675x335x120mm
SHOE BOX-G3	1 piece	5.5Kg	6.4Kg	785x335x120mm