

POSEIDON™

L70
25°C

72,000 Hours

NSF 2 • IP66 • IP69K • LINEAR TASK LIGHT

 **FOOD & BEVERAGE PROCESSING**  **MANUFACTURING & DISTRIBUTION**  **LIVESTOCK FARMING**

The Poseidon is designed for the harsh environments found in food processing, heavy industrial manufacturing, warehouse, and distribution facilities. The IP66 waterproof design is an ideal task light to retrofit existing linear fluorescent as well as HID high-bay fixtures.

PERFORMANCE

Lumen Output	7,500-20,000 lumens
Lifespan	L70> 72,000 Hours
Ambient Temperature	-4°F to 122°F (-20°C to 50°C)
Warranty	5 Years
Efficacy	Up to 130 LPW
Power Washing	Up to 1600 PSI

ELECTRICAL

Operating Voltage	120-277V
Input Frequency	50/60Hz
Input Wattage	4ft - 58W, 80W / 8ft - 80W, 160W
Surge Protection	2.5kV
Dimming	0-10V
Power Input	Standard 6' Yellow Cable (5-Conductor Wire to Pigtails) (Black, White, Green, Purple, Gray)

CONSTRUCTION

IP Rating	IP66
IK Rating	IK10
Dimensions	4ft - 49.41"L x 3.15"D / 8ft - 97.42"L x 3.15"D
Housing	Die Casted Aluminum Alloy
Finish	Heat Dissipating Powder Coat
Lens	Shatterproof Polycarbonate (Not Recommended for Alkaline Industrial Cleaners)

OPTICAL

CRI	≥80
CCT	4000K, 5000K
Beam Angle	120°

NSF 2 Food Splash Zone

NSF 2
FOOD SPLASH ZONE



Project Information:

Project Name:

Complete Catalog #:

Fixture Type:

Comments:

Certification & Listings:



NSF 2 – Food Splash Zone

An ETL Sanitation Mark on Food Service Equipment indicates that equipment is tested to ANSI/NSF 2 is fit for use in the production of food intended for human consumption, or the equipment is fit for use in an environment where food intended for human consumption is produced.



We have custom and standard manufacturing options. Use this form to build your part number or reach out to our sales team for assistance.

GET YOUR PRODUCTS FASTER WITH OUR QUICK SHIP PROGRAM

Multiple USA locations = 98-3-1 Quick Ship Program
 98% Fill Rate – 3 Day Lead Time – 1 Piece Minimum Order

Order Information Example:		PSN4F80WUNV50K			
PSN				UNV	
Model	Length	Wattage		Voltage	CCT
PSN=Poseidon Linear Trask Light	4F=4 Foot	4 Foot	8 Foot	UNV=120-277v	40K=4000K 50K=5000K
	8F=8 Foot	58W=58w 80W=80w	80W=80w 160W=160w		

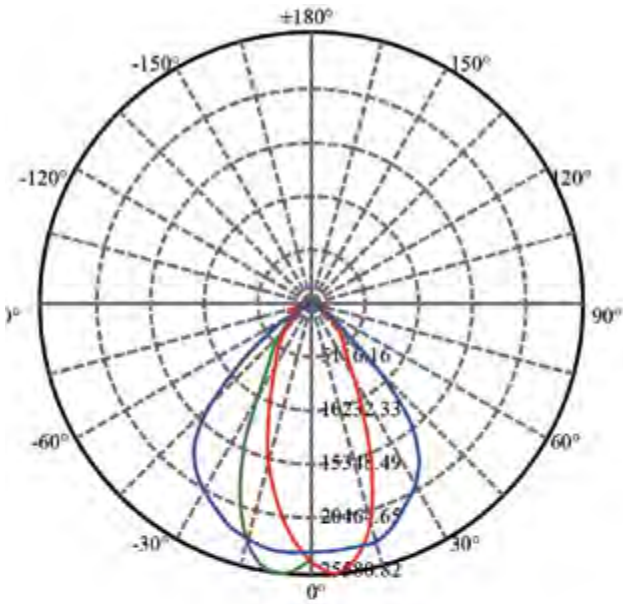
Options & Accessories

Accessories (Order Separately)	
Plugs	Description
WM	Wall Mount Bracket
P3	3pin Mini Connector Male Plug
5P	120v Plug
L7P	Locking 277v Plug

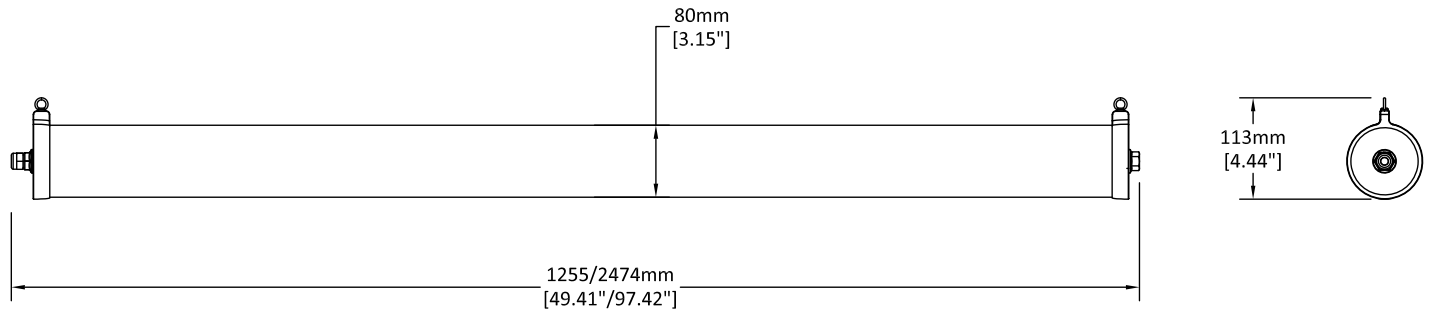
Poseidon Characteristics

Lumen Package	Wattage		Amp Draw		Dimensions		Diameter with Ring Mount	Comparable Light Source
	120V	277V	120V	277V	Length	Diameter		
7,500 L	60	58	0.50	0.22	49.41"	3.15"	4.4"	2 Lamp T8 Vapor
10,000 L	80	78	0.68	0.30	49.41"	3.15"	4.4"	4 Lamp T8 Vapor, 2 Lamp T5 HO Vapor
10,000 L	80	78	0.68	0.30	97.42"	3.15"	4.4"	2 Lamp 8' T8 Vapor
20,000 L	160	157	1.35	0.60	97.42"	3.15"	4.4"	4 Lamp 8' T5 HO Vapor

Poseidon Distribution Diagram



Dimensional Data

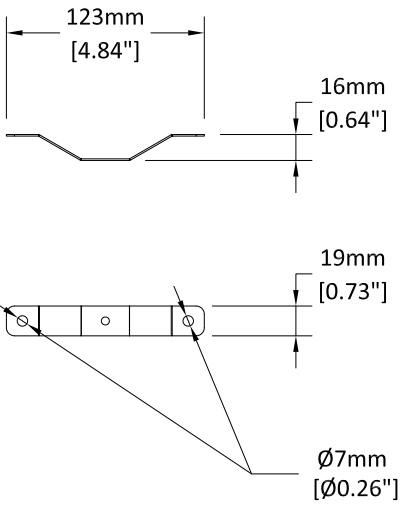


Mounting Options

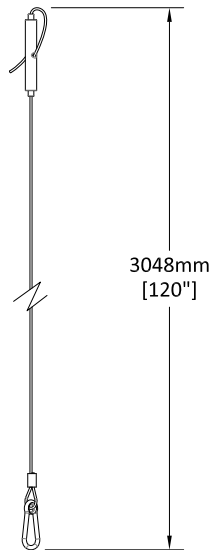
Surface Bracket and Adjustable Cables included with all Poseidon fixtures



Surface Bracket
(2 Each Included)



Adjustable Cable
(2 Each Included)



Wall Mount Bracket
(Order Separately)

