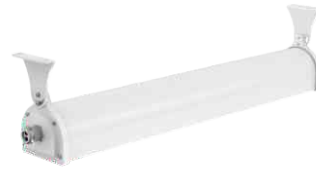
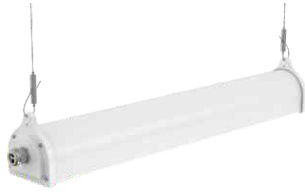


PureLine NSF



LINEAR FOOD PROCESSING LIGHT



2 FT

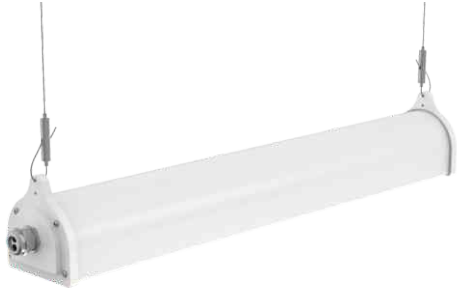


4 FT

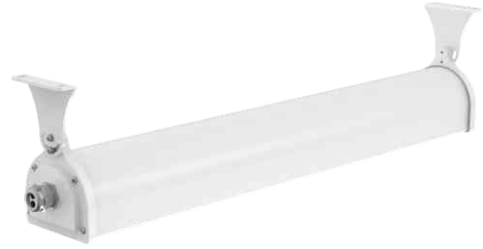
TECHNICAL DATA

Model	HB12-30W 2FTDXXYYYY	HB12-50W 2FTDXXYYYY	HB12-70W 2FTDXXYYYY	HB12-60W 4FTDXXYYYY	HB12-100W 4FTDXXYYYY	HB12-140W 4FTDXXYYYY
Wattage	30W	50W	70W	60W	100W	140W
Input Voltage	120-277Vac, 50/60Hz					
Initial Efficacy	170lm/W					
CCT	2700-6500K					
CRI	>Ra90					
Beam Angle	100°					
Dimming	Dimmable					
PF	>0.9					
Lifespan	L70>100,000 Hours					
IP Rating	IP69K					
Ambient Temp	70°C	65°C	55°C	70°C	65°C	55°C
Lamp Cover	PC					
Certifications	NSF,cUL,UL,CE,RoHS,DLC					
Warranty	5 Years Warranty					
Product Dimension	655*95*100mm 25 79*3 74*3 94in			1255*95*100mm 49.41*3.74*3.94in		

MOUNTING OPTIONS



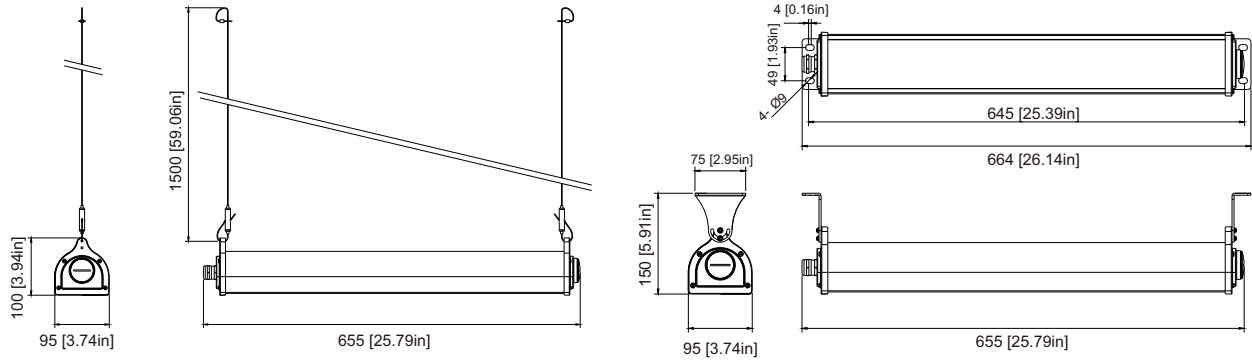
SUSPENSION MOUNT (STANDARD)



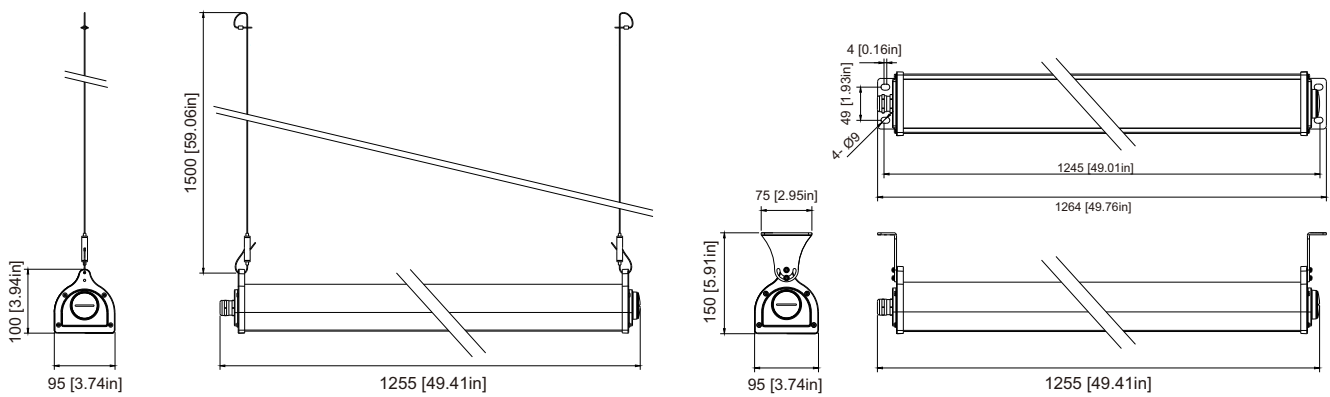
CEILING MOUNT

PRODUCT DIMENSION

Unit: mm [inch]



30W/50W/70W (2FT)



60W/100W/140W (4FT)

ORDERING GUIDE

HB12 - xxxW DXX Y YY Y

1
2
3
4
5
6

1. Product Name	2. Wattage	3. Beam Angle	4. Dimming Function	5. CCT	6. Input Voltage
HB12	HB12-30W=30W HB12-50W=50W HB12-70W=70W HB12-60W=60W HB12-100W=100W HB12-140W=140W	100°	D: Dimmable	2700K-6500K	120-277Vac
Example: HB12-30W 100 D 40 120-277					
HB12	30W	100	D	40	120-277
HB12 Series	30W	100°	Dimmable	4000K	120-277Vac

PACKING INFORMATION

Model	Net Weight	Gross Weight	Quantity/Carton	Package Dimensions (LxWxH)
HB12-70W (2FT)	7.96 kg	9.6 kg	4Pcs	710*238*238mm (27.95*9.37*9.37in)
HB12-140W (4FT)	12.56 kg	15.41 kg	4Pcs	1310*238*238mm (51.57*9.37*9.37in)