



1 GREENHOUSE

Project Name:	Contact Name:
Company Name:	Phone:
Address:	
zip code:	E-mail:

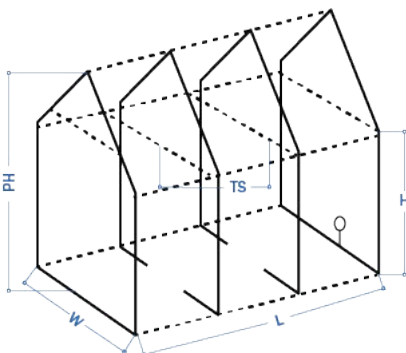
Crop:

Roof Type:

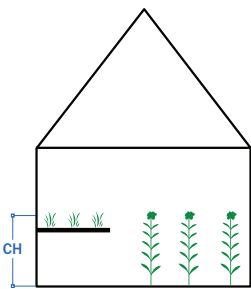
Arch
 Gothic
 Gable
 Other

Building Measurements

Number of Buildings	Width W	Length L	Height to Bottom of Truss H
Peak Height PH	Space Between Trusses TS	Crop Height = CH	Bench Height BH



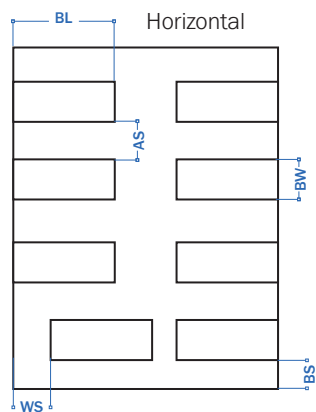
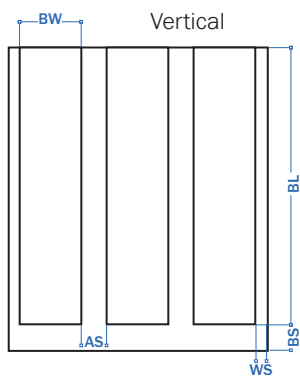
Building Specifications



Crop Height & Light Distance

Obstacles	Yes	No
Partition between bays?		
Material:		
Shade curtain?		
If yes, is it below the truss?		
Describe obstacles:		

Bench Measurements



Other

Number of Benches	Bench Length BL	Bench Width BW
Bench Start BS	Aisle Space AS	Space from Wall WS

Please submit a sketch of your bench layout with dimensions

Orientation of Benches: Vertical Horizontal Other **Bench height from floor:**

Bed/Bench Type: Stationary Rolling Ground Beds Other

2 REQUIREMENTS

Light Requirements: Sole source (indoor) Primarily supplemental Photoperiod/Daylength extension

Growth Stage: Propagation Vegetative Flowering

Uniformity Desired: High (may result in more lights) Low (may result in fewer lights)

Desired Intensity

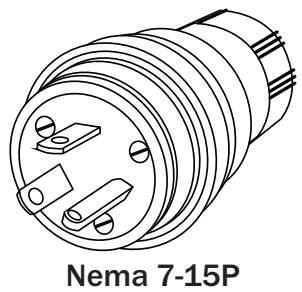
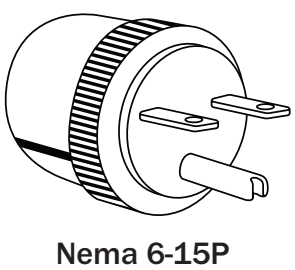
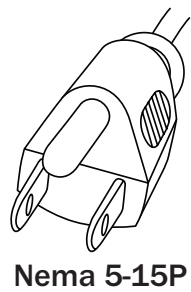
Micromoles:	Footcandles:	Moles/Day:
<input type="text"/>	<input type="text"/>	<input type="text"/>
Natural + supplemental = <input type="text"/>	Supplimental only = <input type="text"/>	

3 FIXTURE INFORMATION

Fixture:	CANNA		VERTA		LINEA	
Voltage / Standard plug:	120V / 5-15p	208V / 6-15p	240V / 6-15p	277V / 7-15p	347V / 24-15p	480V / L8-20p
Special plug requirement:	<input type="text"/>					

All fixtures come with either a 6' or 15' power cord.

Please click inside the box below to include DWG or PDF file if available.



E-mail the completed form to info@opticpar.com or fax to 614-868-5344