

CIRRUS

DoB COBRA HEAD

PROJECT

CATALOG #

TYPE

25W, 50W, 75W, 100W, 120W, 150W, 200W
REPLACES UP TO A 500 WATT METAL HALIDE FIXTURE

- Driver on Board (DoB)
- Modular Design to Ensure Easy Printed Circuit Board Replacement
- Power Coated Corrosion Resistant Finish
- Tool-less Entry
- Integrated Surge Suppression
- 0-10V Dimming Standard



POWER

Available from 25W up to 240W Configurations

PRECISION

Custom-Engineered Optics Offer Precisely Directed Light

ENGINEERING

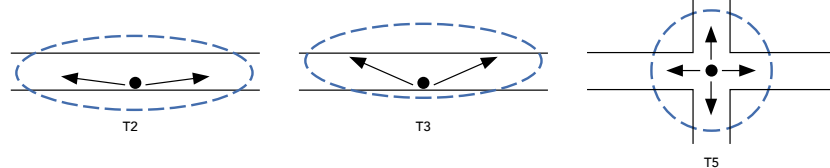
Modular Design & Tool-Less Limits Long Term Maintenance Concerns

ORDERING INFORMATION

EXAMPLE PART #: CIR - 120 - 40K - T3 - V01 - GR - NPCR

CIR					GR	
SERIES	WATTS	CCT	OPTICS	INPUT PWR	FINISH	OPTIONS
CIR	25	30K	T2	V01 110/277V	GR Grey	NPCR No Photocell Receptacle
	50	40K	T3	V04 347/480V		PCR3 3-Pin Photocell Receptacle
	75	57K	T5			PCR5 5-Pin Photocell Receptacle
	100					PCR7 7-Pin Photocell Receptacle
	120					PC Photocell (requires PCRx)
	150					
	200					

OPTICS



LUMEN CHART

	4000K	5000K	5700K
25W	3,000 lm	3,200 lm	3,200 lm
50W	5,700 lm	6,000 lm	6,000 lm
75W	8,800 lm	9,200 lm	9,200 lm
100W	11,500 lm	12,000 lm	12,000 lm
120W	14,500 lm	15,000 lm	15,400 lm
150W	17,500 lm	18,200 lm	18,900 lm
200W	22,500 lm	23,500 lm	24,300 lm

Typical delivered lumen data is approximate. Actual lumens will vary due to installation environment and beam pattern. Please see IES files.

SPECIFICATIONS

Expected Life | Over 100,000 hrs.
Rating | IP65
Color Rendering Index (CRI) | 70
Operating Temp | -40°C – +65°C
Relative Humidity | 10-90% RH
Power Factor | >.90
Input Line Voltage | 100-240 / 277 VAC
Input Line Frequency | 50/60 Hz
LED Chips | CREE
Driver | DoB
Surge Protection | 10KV
3G Vibration Rating | ANSI C136.31
Dimming | 0-10V Dimming Standard

LISTINGS

UL 1598
UL 8750
FCC Compliant | Title 47 Part 15

WEIGHT & EPA

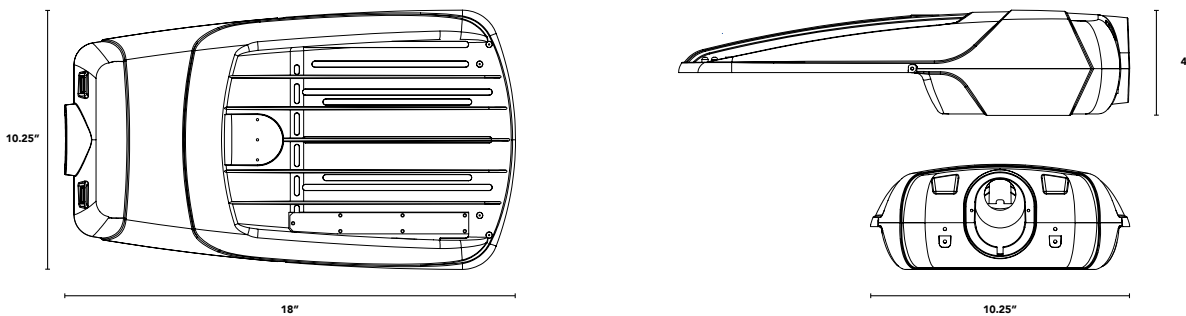
Fixture Size	Weight	EPA
25W to 100W	6.6 lb	.51 ft ²
120W to 200W	15 lb	.88 ft ²

MATERIALS

Housing | Aluminum
Gasketing | Neoprene
Hardware | Stainless Steel
Finish | Powdercoat
Lens | UV Inhibited Acrylic

PRODUCT DRAWINGS

25W, 50W, 75W, 100W



120W, 150W, 200W

